

# SPECIFICATION



## YMSP-G240128H-2DBSAWD

May 22, 2008

Version 1.0

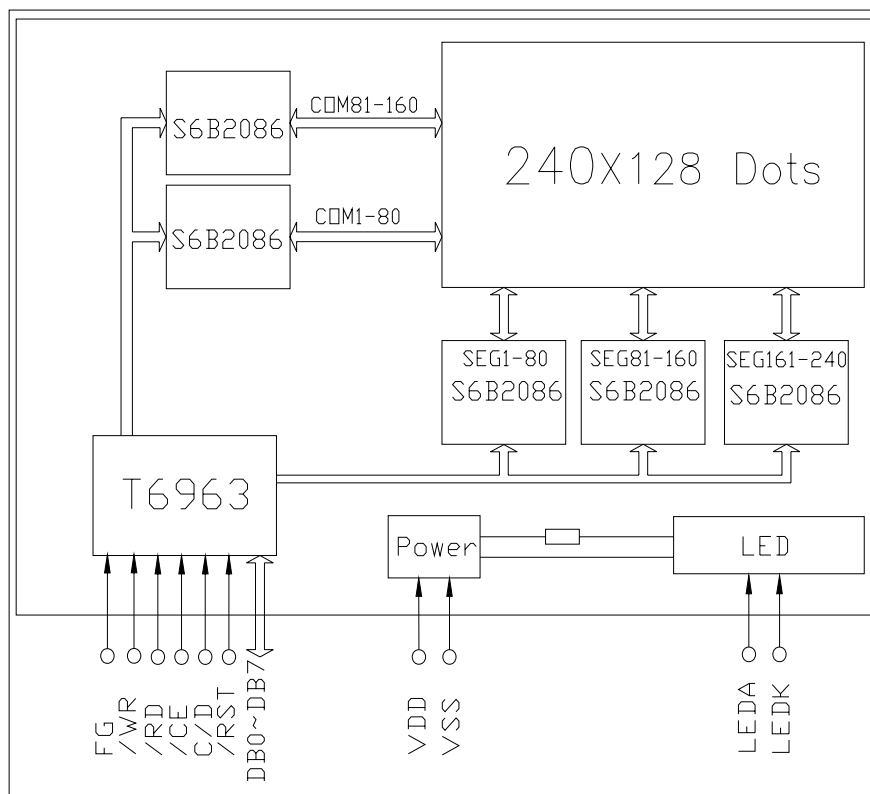


## CONTENTS

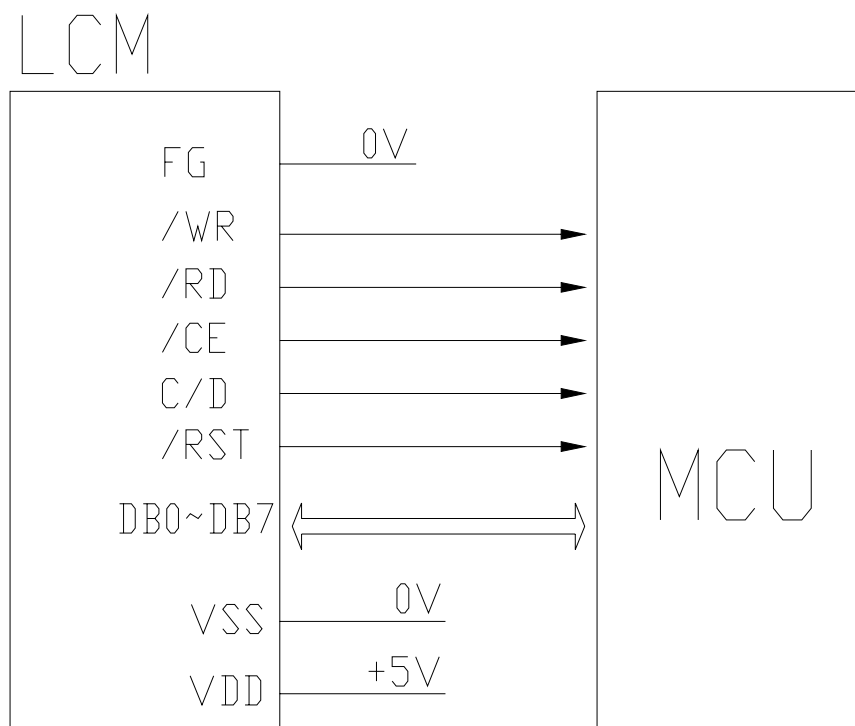
1.	FEATURES-.....	1
2.	BLOCK DIAGRAM &APPLICATION CIRCUIT .....	1
3.	OUTLINE DIMENSIONS-.....	3
4.	ABSOLUTE MAXIMUM RATING .....	4
5.	ELECTRICAL CHARACTERISTICS .....	4
6.	OPTICAL CHARACTERISTICS-.....	5
7.	TIMING CHARACTERISTICS .....	6
8.	DISPLAY CONTROL INSTRUCTION .....	7
9.	INTERFACE PIN CONNECTIONS-.....	22
10.	RELIABILITY .....	24
11.	QUALITY GUARANTEE .....	25
12.	INSPECTION CRITERIA .....	26
13.	PRECAUTIONS FOR USING LCD MODULES .....	27
14.	USING LCD MODULES .....	28

**1. FEATURES :**

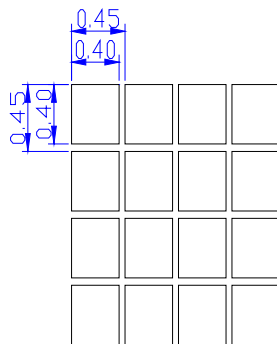
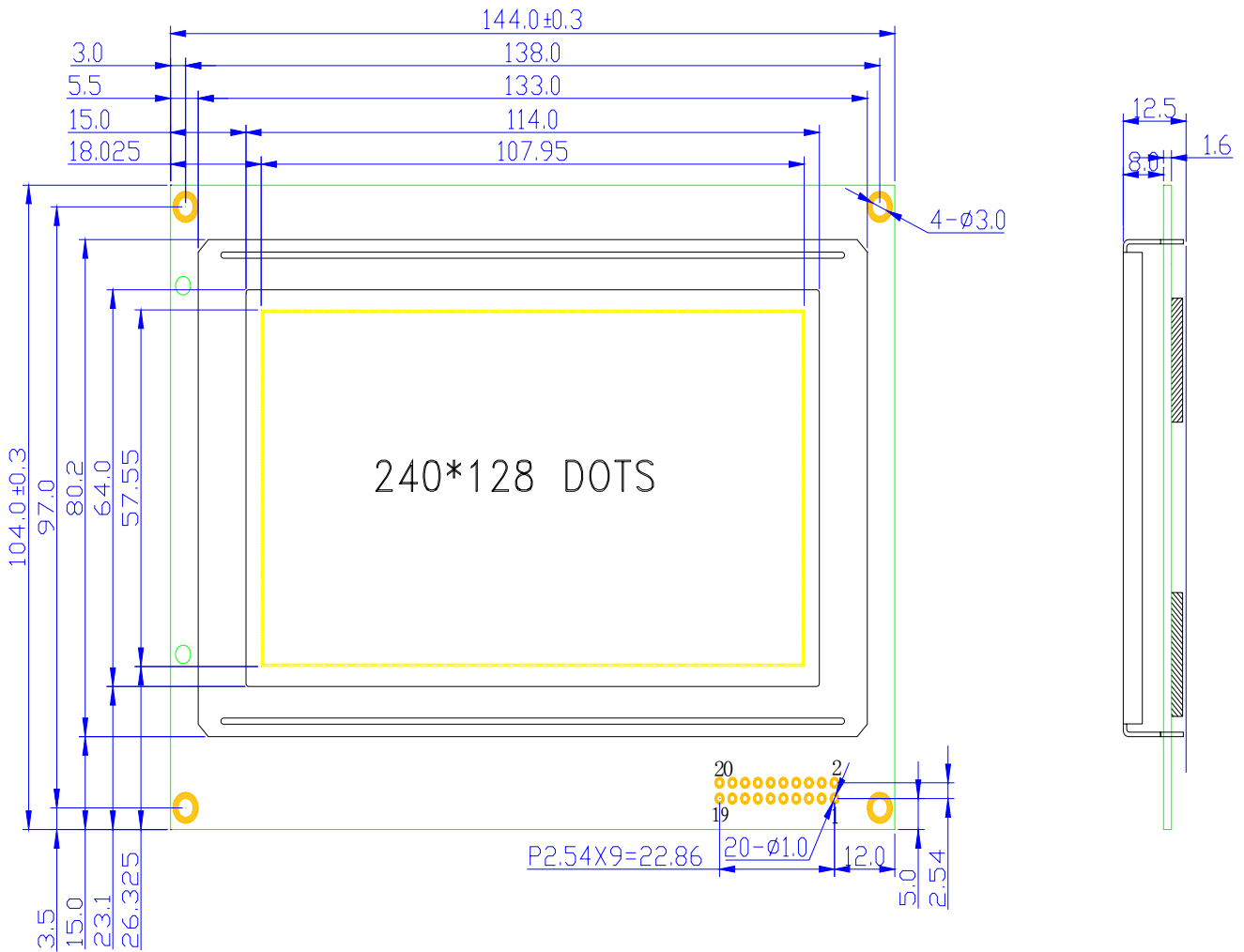
ITEM	STANDARD VALUE	UNIT
Display Type	240 *128 dots	-
LCD Type	<input checked="" type="checkbox"/> STN, BLUE, Transflective, Negative, Wide TEMP <input type="checkbox"/> FSTN, Transflective, Position, Extend TEMP <input type="checkbox"/> STN, GREY, Transflective, Position, Extend TEMP <input type="checkbox"/> STN, YELLOW-GREEN, Transflective, Position, Extend TEMP	<b>IDE</b>
LCD Duty	1/128	-
LCD Bias	1/12	-
Viewing Direction	6:00	-
Backlight Type	<input type="checkbox"/> LED(White) <input checked="" type="checkbox"/> LED(Amber) <input type="checkbox"/> LED(Yellow-Green)	-
Interface	8080 series	-
Driver IC	<input checked="" type="checkbox"/> T6963	-
Module Dimension	144.0(W) X 104.0(H) X12.5 (MAX)(T)	mm
Effective Display Area	107.95 (W) X57.55 (H)	mm
Dot Size	0.40 (W) X 0.40 (H)	mm
Dot Pitch	0.45 W) X 0.45 (H)	mm

**2. BLOCK DIAGRAM & APPLICATION CIRCUIT :**


**Application**



**3. OUTLINE DIMENSIONS**



*DETAIL FOR DOTS*

*SCALE 25:1*

**4. ABSOLUTE MAXIMUM RATING**

ITEM	SYMBOL	CONDITION	STANDARD VALUE			UNIT
			MIN	TYP	MAX	
POWER SUPPLY FOR LOGIC	VDD	Ta=25°C	-0.3	—	7.0	V
INPUT VOLTAGE	VIN	Ta=25°C	-0.3	—	VDD+0.3	V
Module OPERATION TEMPERATURE	TOPR	---	-10	—	+60	°C
Module STORAGE TEMPERATURE	TSTG	---	-20	—	+70	°C
Storage Humidity	H <sub>D</sub>	Ta < 40 °C	-		90	%RH

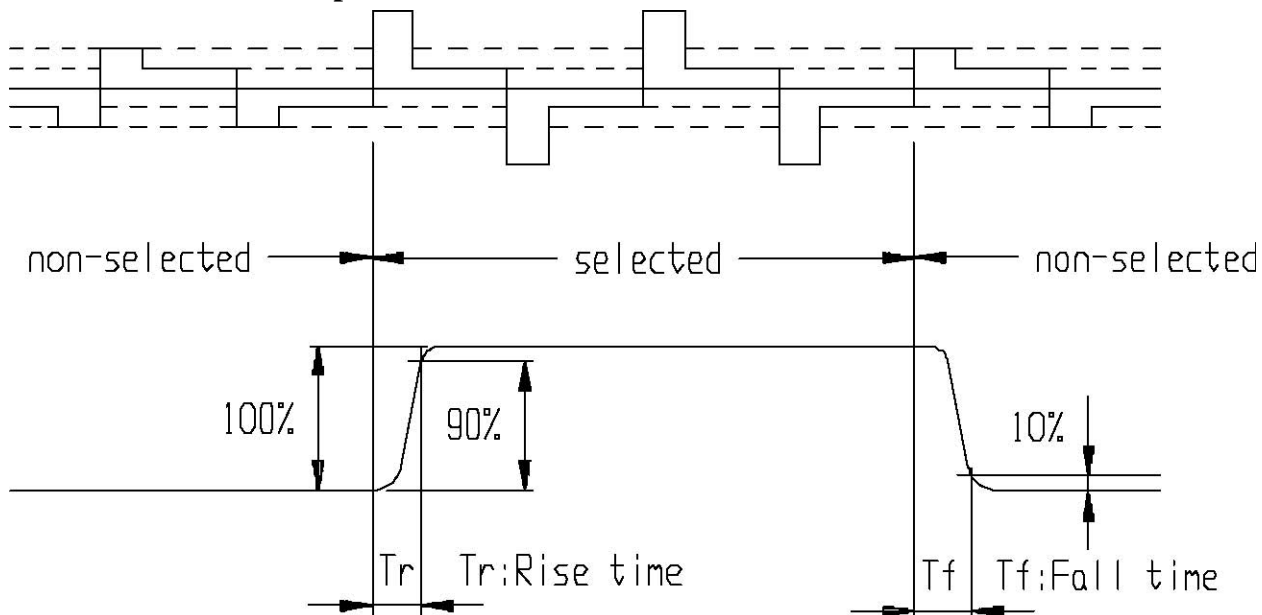
**5. ELECTRICAL CHARACTERISTICS**

ITEM	SYMBOL	CONDITION	MIN	TYP	MAX	UNIT
Supply Voltage (logic)	VDD-VSS	-	4.5	5	5.5	V
Supply Voltage (LCD)	VDD-V0	Ta= +25°C Blue Ta= +25°C Y-G	-	18.5 18.5	-	V
Input signal voltage	V-IH	“H” level	VDD-2.2	-	VDD	V
	V-IL	“L” level	0	-	0.8	V
Output signal voltage	V-OH	“H” level	VDD-0.3	-	VDD	V
	VOL	“H” level	0	-	0.3	V
Supply Current (logic)	IDD	VDD=5.0V	-	-	-	mA
Backlight Voltage	V-BL	LED(Amber)	-	2.1	-	V
		LED(Yellow-Green)	-	4.2V	-	
		LED(White)	-	3.1	-	
Backlight Current	I-BL	LED(Amber)	-	160	-	mA
		LED(Yellow-Green)	70	-	-	
		LED(White)	-	-	-	
Backlight Driver Wave		-	-	-	-	kHz
Backlight Brightness						
Backlight Life Time						

**6. OPTICAL CHARACTERISTICS**

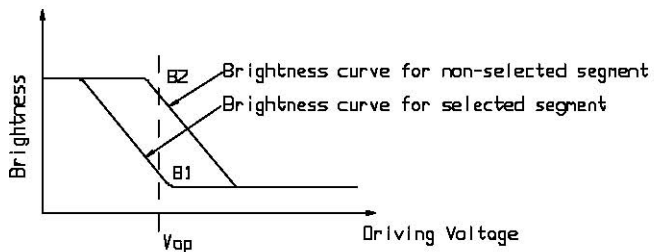
Item	Symbol	Condition	Min	Typ	Max	Unit	Remarks	Note
Response Time	Tr	-	-	498	-	ms	-	1
	Tf	-	-	123	-	ms	-	1
Contrast Ratio	Cr	-	-	11.6	-	-	-	2
Viewing Angle Range	θ	Cr ≥ 2	26	-	-	deg	∅= 90	3
			26	-	-	deg	∅ = 270	3
			29	-	-	deg	∅ = 0	3
			57	-	-	deg	∅ = 180	3

**Note 1. Definition of response time**

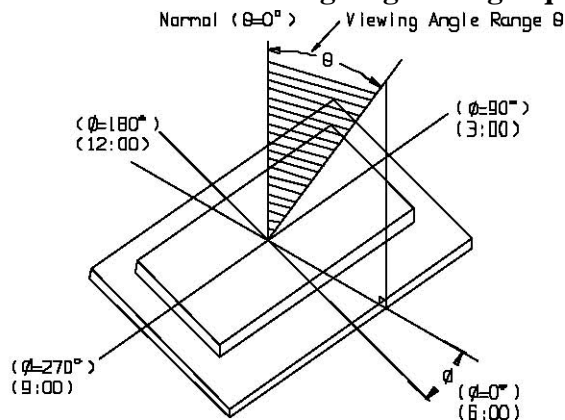


**Note 2. Definition of Contrast Ratio 'Cr'**

$$Cr = \frac{\text{Brightness of non-selected segment}(B2)}{\text{Brightness of selected segment}(B1)}$$



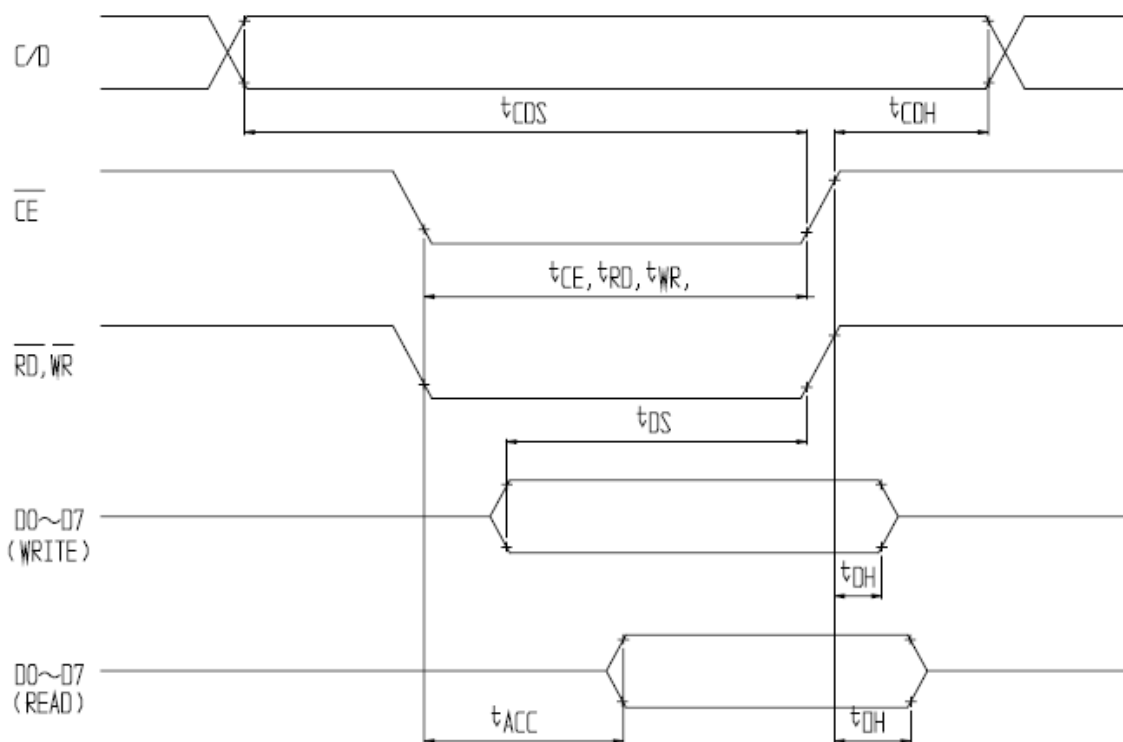
**Note 3. Definition of Viewing Angle Range 'q'**



**7. TIMING CHARACTERISTICS**

**7.1 T6963 Timing**

Parameter	Symbol	Min	Max	Unit
C/D set up time	$t_{CDS}$	100	---	ns
C/D hold time	$t_{CDH}$	10	---	ns
CE, RD, WR pulse width	$t_{CE}, t_{RD}, t_{WR}$	80	---	ns
Data set up time	$t_{DS}$	80	---	ns
Data hold time	$t_{DH}$	40	---	ns
Access time	$t_{ACC}$	---	150	ns
Output hold time	$t_{OH}$	10	50	ns



## 8. Display Control Instruction

Please Consult T6963 Data Sheet

**u Flowchart of Communications with MPU**
**● Status Read**

Before sending data (Read/Write) command, it is necessary to check the status.

Status check

Status of T6963C can be read from data lines.

RD	L
WR	H
CE	L
C/D	H
D0-D7	Status word

T6963C status word format is following.

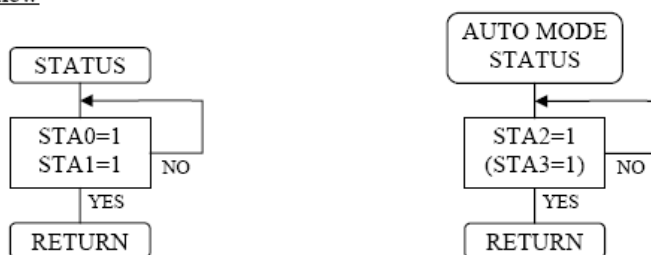
MSB						LSB	
STA7	STA6	STA5	STA4	STA3	STA2	STA1	STA0
D7	D6	D5	D4	D3	D2	D1	D0

STA0	Check capability of command execution	0 : Disable 1 : Enable
STA1	Check capability of data read/write	0 : Disable 1 : Enable
STA2	Check capability of auto mode data read	0 : Disable 1 : Enable
STA3	Check capability of auto mode data write	0 : Disable 1 : Enable
STA4	Not use	
STA5	Check capability of controller operation	0 : Disable 1 : Enable
STA6	Error flag. Using screen peek/copy command	0 : No error 1 : Error
STA7	Check the condition blink	0 : Display off 1 : Normal display

Note 1 : It is necessary to check STA0 and STA1 at the same time. The error is happened by sending data at executing command.

Note 2 : The status check will be enough to check STA0/STA1.

Note 3 : STA2/STA3 are valid in auto mode STA0/STA1 are invalid.

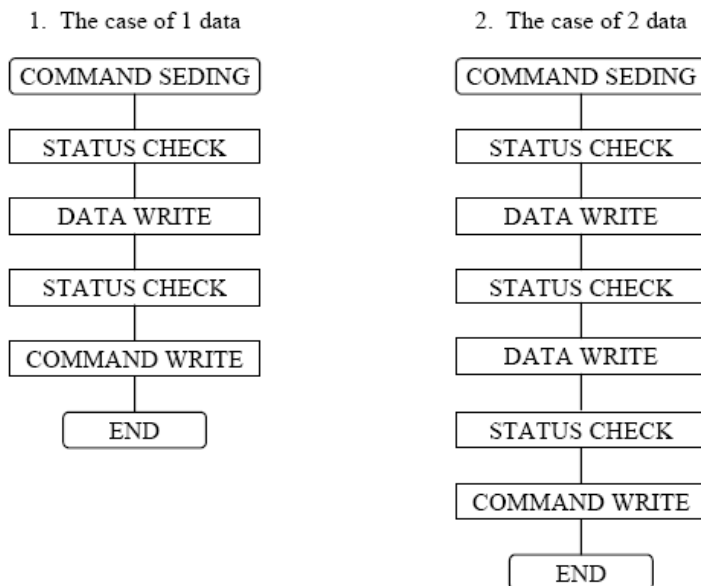
Status checking flow


Note 4 : It is impossible to save status check in the case of command of MSB0. To have the delay time cannot be save status check. The interrupt of hardware is happened at the end of lines. If command of MSB0 is sent in this period, the command executing is waited. The state of waiting doesn't be known without to check status. The sending next command or data is disregarded or rewrites data of waiting command.

● Data Set

In T6963C, the data have been set and command executes.

The order of procedure of command sending



Note : In case of over 2 data sending, the last data (or last 2 data) is valid.

**u Description of Command**

● Register Set

Code	Hex	Function	D1	D2
00100001	21H	Cursor Pointer Set	X ADRS	Y ADRS
00100010	22H	Offset Register Set	Data	00H
00100100	24H	Address Pointer Set	Low ADRS	High ADRS

(1) Cursor Pointer Set

The position of cursor is specified by X ADRS, Y ADRS. The cursor position is moved only by this command. The cursor pointer doesn't have the function of increment and decrement. The shift of cursor are set by this command. X ADRS, Y ADRS are specified following.

X ADRS            00H~4FH (Lower 7bits are valid)  
 Y ADRS            00H~1FH (Lower 5bits are valid)

1 screen drive	2 screens drive
X ADRS 00~4FH	X ADRS 00~4FH
Y ADRS 00H~0FH	Y ADRS 00H~0FH Upper screen
	Y ADRS 10H~1FH Lower screen

**(2) Offset Register Set**

The offset register is used to determine external character generator RAM area.

T6963C has 16 bit address lines as follow.

MSB														LSB	
ad15	ad14	ad13	ad12	ad11	ad10	ad9	ad8	ad7	ad6	ad5	ad4	ad3	ad2	ad1	ad0

The upper 5 bit (ad15~ad11) are determined by offset register. The middle 8 bit (ad10~ad3) are determined by character code. The lower 3 bit (ad2~ad0) are determined by vertical counter. The lower 5 bit of D1 (data) are valid. The data format of external character generator RAM.

The relationship of display RAM address and offset register

Data of offset register	CG RAM HEX address(start-end)
00000	0000-07FFH
00001	0800-0FFFH
00010	1000-17FFH
11100	E000-E7FFH
11101	E800-EFFFH
11110	F000-F7FFH
11111	F800-FFFFH

**(Example 1)**

Offset register	02H
Character code	80H
Character generator RAM start address	0001 0100 0000 0000
	1 4 0 0 H

	( Address )	( Data )
	1400H	00H
	1401H	1FH
	1402H	04H
	1403H	04H
	1404H	04H
	1405H	04H
	1406H	04H
	1407H	00H

**(Example 2)**

The relationship of display RAM data and display character

	( RAM Data )	( Character )
A B $\gamma$ D E $\zeta$ G H I J K L M	21H	A
	22H	B
	83H	$\gamma$
	24H	D
	25H	E
	86H	$\zeta$

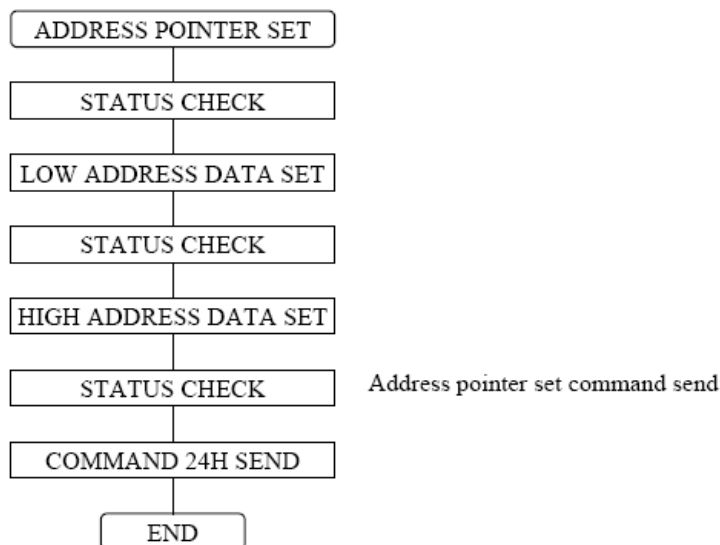
Display character

Note :  $\gamma$  and  $\zeta$  are displayed by character generator RAM.

### (3) Address Pointer Set

The address pointer set command is used to indicate the start address for writing (or reading) to external RAM.

#### The flow chart address pointer set command



#### ● Control Word Set

Code	Hex	Function	D1	D2
01000000	40H	Text home address set	Low address	High address
01000001	41H	Text area set	Columns	00H
01000010	42H	Graphic home address set	Low address	High address
01000011	43H	Graphic area set	Columns	00H

The home address and column size are defined by this command.

#### (1) Text Home Address Set

The starting address of external display RAM for Text display is defined by this command. The text home address shows the left end and most upper position.

#### The relationship of external display RAM address and display position

TH		TH+CL
TH+TA		TH+TA+CL
(TH+TA)+TA		TH+2TA+CL
(TH+2TA)+TA		TH+3TA+CL
TH+(n-1)TA		TH+(n-1)TA+CL

TH : Text home address

TA : Text area number (columns)

CL : Columns are fixed by hardware. (pin-programmable)

(Example)

Text home address : 0000H  
 Text area : 0020H  
 MD2=H, MD3=H : 32 columns  
 DUAL=H, MDS=L, MD0=L, MD1=L : 16 lines

0000H	0001H	.....	001EH	001FH
0020H	0021H	.....	003EH	003FH
0040H	0041H	.....	005EH	005FH
0060H	0061H	.....	007EH	007FH
0080H	0081H	.....	009EH	009FH
00A0H	00A1H	.....	00BEH	00BFH
00C0H	00C1H	.....	00DEH	00DFH
00E0H	00E1H	.....	00FEH	00FFH
0100H	0101H	.....	011EH	011FH
0120H	0121H	.....	013EH	013FH
0140H	0141H	.....	015EH	015FH
0160H	0161H	.....	017EH	017FH
0180H	0181H	.....	019EH	019FH
01A0H	01A1H	.....	01BEH	01BFH
01C0H	01C1H	.....	01DEH	01DFH
01E0H	01E1H	.....	01FEH	01FFH

(2) Graphic Home Address Set

The starting address of external display RAM for Graphic display is defined by this command. The graphic home address shows the left end most upper line.

The relationship of external display RAM address and display position

GH		GH+CL
GH+GA		GH+GA+CL
(GH+GA)+GA		GH+2GA+CL
(GH+2GA)+GA		GH+3GA+CL
GH+(n-1)GA		GH+(n-1)GA+CL

GH : Graphic home address

GA : Graphic area number (columns)

CL : Columns are fixed by hardware. (pin-programmable)

(Example)

Graphic home address : 0000H  
 Graphic area : 0020H  
 MD2=H, MD3=H : 32 columns  
 DUAL=H, MDS=L, MD0=L, MD1=L : 16 lines

0000H	0001H	.....	001EH	001FH
0020H	0021H	.....	003EH	003FH
0040H	0041H	.....	005EH	005FH
0060H	0061H	.....	007EH	007FH
0F80H	0F81H	.....	0F9EH	0F9FH
0FA0H	0FA1H	.....	0FBEH	0FBFH
0FC0H	0FC1H	.....	0FDEH	0FDFH
0FE0H	0FE1H	.....	0FFEH	0FFFH



**● Mode Set**

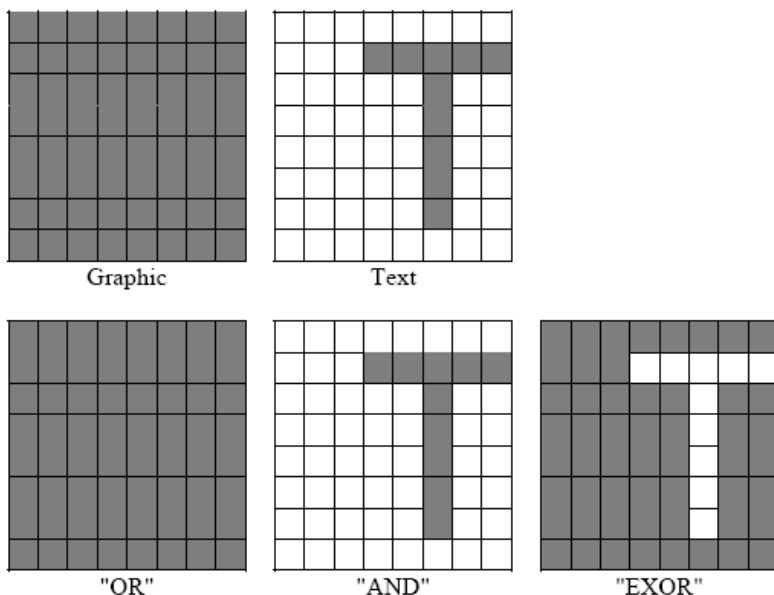
Code	Function	Operand
1000x000	"OR" Mode	---
1000x001	"EXOR" Mode	---
1000x011	"AND" Mode	---
1000x100	"TEXT ATTRIBUTE" Mode	---
10000xxx	Internal Character Generator Mode	---
10001xxx	External Character Generator Mode	---

x : Don't care

The display mode is defined by this command. The display mode don't have changed until to send next this command. Logically "OR", "EXOR", "AND" of text and graphic display can be displayed.

When internal character generator mode is selected, character code 00H~7FH are selected from built-in character generator ROM. The character code 80H~FFH are automatically selected external character generator RAM.

(Example)



Note : Only text display is attributed, because attribute data is located in graphic RAM area.

Attribute function

"Reverse display", "Character blink" and "Inhibit" are called "Attribute". The attribute data is written in the graphic area defined by control word set command. The mode set command selects text display only and graphic display cannot be displayed.

The attribute data of the 1st character in text area is written at the 1st byte in graphic area, and attribute data of n-th character is written at the n-th byte in graphic area. Attribute function is defined as follow.

Attribute RAM byte

x	x	x	x	d3	d2	d1	d0
---	---	---	---	----	----	----	----

d3	d2	d1	d0	Function
0	0	0	0	Normal display
0	1	0	1	Reverse display
0	0	1	1	Inhibit display
1	0	0	0	Blink of normal display
1	1	0	1	Blink of reverse display
1	0	1	1	Blink of inhibit display

**● Display Mode**

Code	Function	Operand
10010000	Display off	---
1001xx10	Cursor on, blink off	---
1001xx11	Cursor on, blink on	---
100101xx	Text on, graphic off	---
100110xx	Text off, graphic on	---
100111xx	Text on, graphic on	---

1	0	0	1	d3	d2	d1	d0
---	---	---	---	----	----	----	----

d0: Cursor blink      on : 1, off : 0  
 d1: Cursor display    on : 1, off : 0  
 d2: Text display      on : 1, off : 0  
 d3: Graphic display   on : 1, off : 0

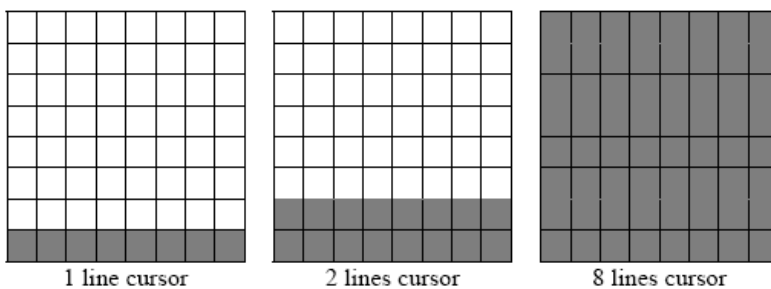
Note : It is necessary to turn on "Text display" and "Graphic display" in following case.

1) Combination of text/graphic display, 2) Attribute function.

**● Cursor Pattern Select**

Code	Function	Operand
10100000	1 line cursor	---
10100001	2 lines cursor	---
10100010	3 lines cursor	---
10100011	4 lines cursor	---
10100100	5 lines cursor	---
10100101	6 lines cursor	---
10100110	7 lines cursor	---
10100111	8 lines cursor	---

When cursor display is ON, this command selects the cursor pattern from 1 line to 8 lines. The cursor address is defined by cursor pointer set command.

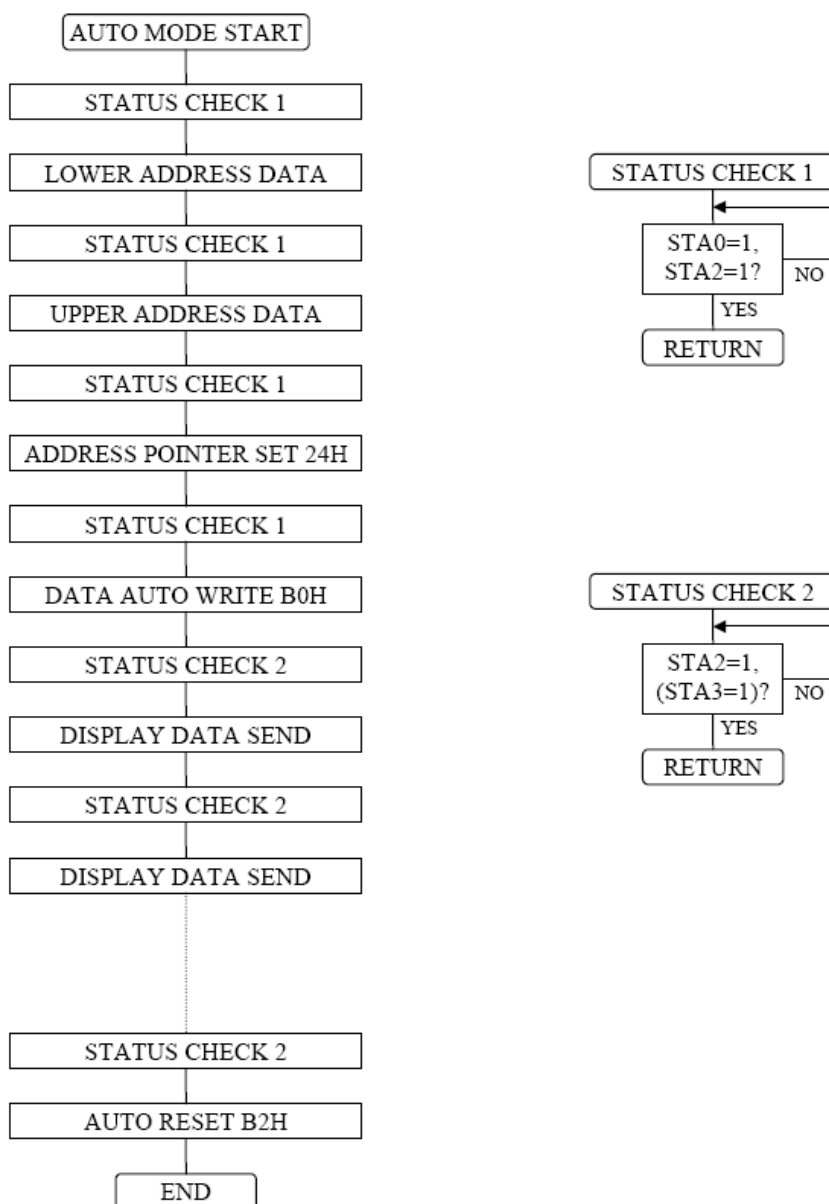


**● Data Auto Read/Write**

Code	Hex	Function	Operand
10110000	B0H	Data auto write set	---
10110001	B1H	Data auto read set	---
10110010	B2H	Auto reset	---

This command is convenient to send full screen data from external display RAM. After setting auto mode, "Data write (or read)" command is not necessary between each data. "Data auto write (or read)" command should follow the "Address pointer set" and address pointer is automatically increment by + 1 after each data. After sending (or receiving) all data "Auto reset" is necessary to return normal operation because all data is regarded "Display data" and no command can be accepted in the auto mode.

Note : Status check for auto mode (STA2,STA3) should be checked between each data. Auto reset should be performed after checking STA3=1 (STA2=1). Please refer following flow chart.

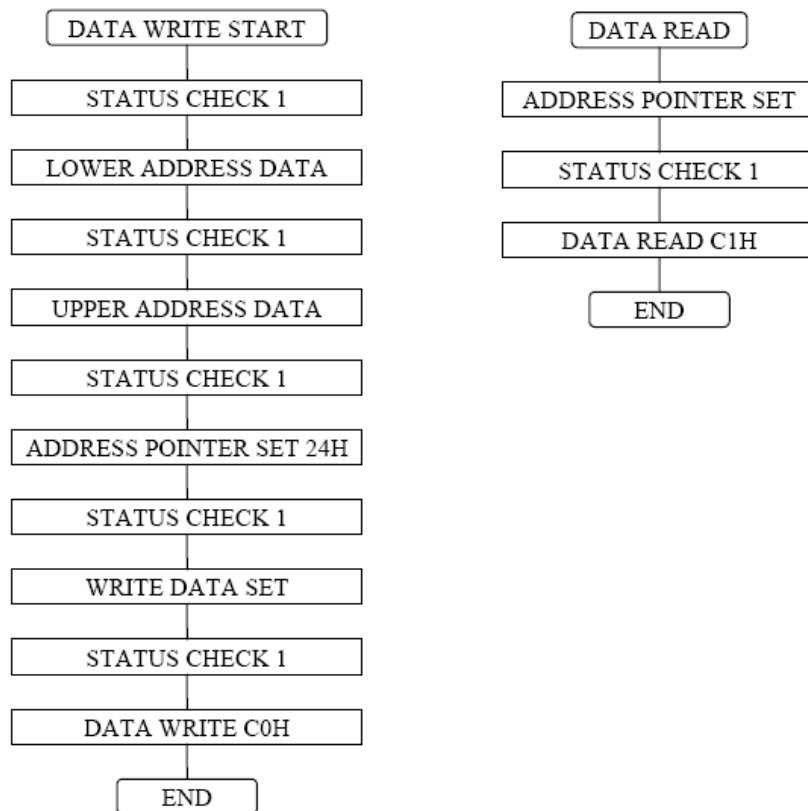


● Data Read Write

Code	Hex	Function	Operand
11000000	C0H	Data write and ADP increment	Data
11000001	C1H	Data read and ADP increment	---
11000010	C2H	Data write and ADP decrement	Data
11000011	C3H	Data read and ADP decrement	---
11000100	C4H	Data write and ADP nonvariable	Data
11000101	C5H	Data read and ADP nonvariable	---

This command is used for data write from MPU to external display RAM, and data read from external display RAM to MPU. Data write/data read should be executed after setting address by address pointer set command. Address pointer can be automatically increment or decrement by setting this command.

Note : This command is necessary for each 1 byte data. Please refer following flow chart.

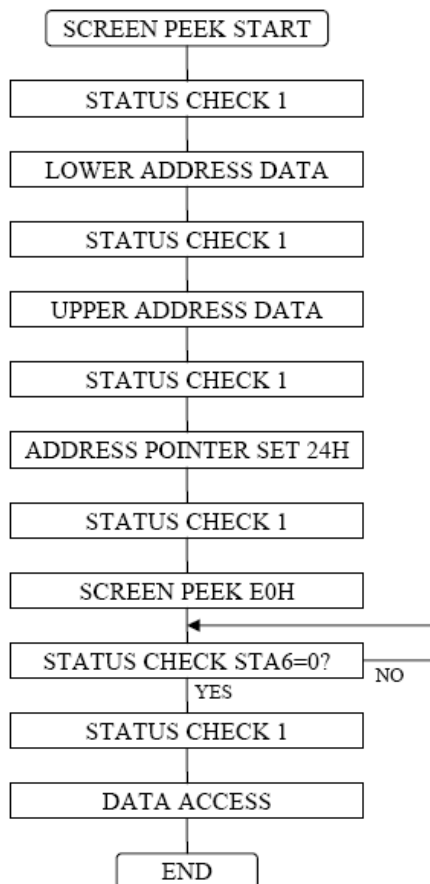


**● Screen Peek**

Code	Hex	Function	Operand
11100000	E0H	Screen Peek	---

This command is used to transfer displayed 1 byte data to data stack, and this 1 byte data can be read from MPU by data access. The logical combination data of text and graphic display on LCD screen can be read by this command.

The status (STA6) should be checked just after "Screen peek" command. If the address determined by "Address pointer Set" command is not in graphic area, this command ignored and status flag (STA6) is set. Please refer following flow chart.



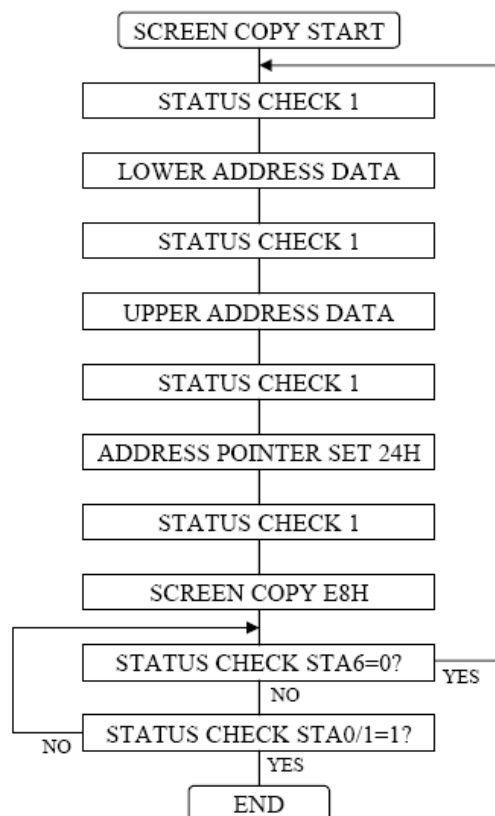
● Screen Copy

Code	Hex	Function	Operand
11101000	E8H	Screen copy	---

This command is used to copy displayed 1 line data to graphic area. The start point of 1 line data in the screen is determined by the address pointer. Please refer following flow chart.

Note 1 : In attribute function, this command is invalid. (Because attribute data is in the graphic area.)

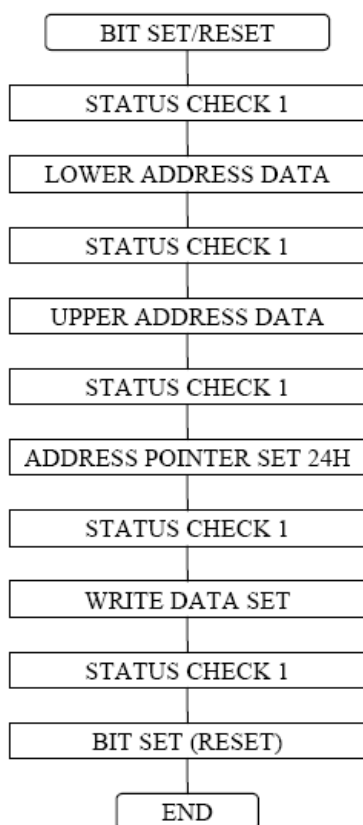
Note 2 : In case of 2 screen drive, this command is invalid. (Because T6963C cannot separate upper screen data and lower screen data.)



● Bit Set/Reset

Code	Function	Operand
11110xxx	bit reset	---
11111xxx	bit set	---
1111x000	bit 0 (LSB)	---
1111x001	bit 1	---
1111x010	bit 2	---
1111x011	bit 3	---
1111x100	bit 4	---
1111x101	bit 5	---
1111x110	bit 6	---
1111x111	bit 7 (MSB)	---

This command is used to set or reset a bit of 1 byte is specified by address pointer. Plural bits in the 1 byte data cannot be set/reset at a time. Please refer following flow chart.



**Command List**

Command	Code	D1	D2	Function
Register Set	00100001	X address	Y address	Cursor pointer set
	00100010	Data	00H	Offset register set
	00100100	Low address	High address	Address pointer set
Control Word Set	01000000	Low address	High address	Text home address set
	01000001	Columns	00H	Text area set
	01000010	Low address	High address	Graphic home address set
	01000011	Columns	00H	Graphic area set
Mode Set	1000x000	---	---	"OR" mode
	1000x001	---	---	"EXOR" mode
	1000x011	---	---	"AND" mode
	1000x100	---	---	"Text attribute" mode
	10000xxx	---	---	Internal CG ROM mode
	10001xxx	---	---	External CG RAM mode
Display Mode	10010000	---	---	Display off
	1001xx10	---	---	Cursor on, blink off
	1001xx11	---	---	Cursor on, blink on
	100101xx	---	---	Text on, graphic off
	100110xx	---	---	Text off, graphic on
	100111xx	---	---	Text on, graphic on
Cursor Pattern Select	10100000	---	---	1 line cursor
	10100001	---	---	2 lines cursor
	10100010	---	---	3 lines cursor
	10100011	---	---	4 lines cursor
	10100100	---	---	5 lines cursor
	10100101	---	---	6 lines cursor
	10100110	---	---	7 lines cursor
	10100111	---	---	8 lines cursor
Data Auto Read/Write	10110000	---	---	Data auto write set
	10110001	---	---	Data auto read set
	10110010	---	---	Auto reset
Data Read Write	11000000	Data	---	Data write and ADP increment
	11000001	---	---	Data read and ADP increment
	11000010	Data	---	Data write and ADP decrement
	11000011	---	---	Data read and ADP decrement
	11000100	Data	---	Data write and ADP nonvariable
	11000101	---	---	Data read and ADP nonvariable
Screen Peek	11100000	---	---	Screen peek
Screen Copy	11101000	---	---	Screen copy
Bit Set/Reset	11110xxx	---	---	bit reset
	11111xxx	---	---	bit set
	1111x000	---	---	bit 0 (LSB)
	1111x001	---	---	bit 1
	1111x010	---	---	bit 2
	1111x011	---	---	bit 3
	1111x100	---	---	bit 4
	1111x101	---	---	bit 5
	1111x110	---	---	bit 6
	1111x111	---	---	bit 7 (MSB)

**Character Code Map**

ROM CODE 0101

LSB MSB	0	1	2	3	4	5	6	7	8	9	A	B	C	D	E	F
0		!	"	#	\$	%	&	'	(	)	*	+	,	-	.	/
1	0	1	2	3	4	5	6	7	8	9	:	;	<	=	>	?
2	a	A	B	C	D	E	F	G	H	I	J	K	L	M	N	O
3	P	Q	R	S	T	U	V	W	X	Y	Z	[	\	]	^	_
4	~	a	b	c	d	e	f	g	h	i	j	k	l	m	n	o
5	p	q	r	s	t	u	v	w	x	y	z	{		}	~	
6	ç	ü	é	à	á	â	ã	ä	å	ç	ê	ë	è	é	ì	í
7	ê	ë	è	é	ò	ó	ô	õ	ö	ù	ú	û	ü	ÿ	€	£

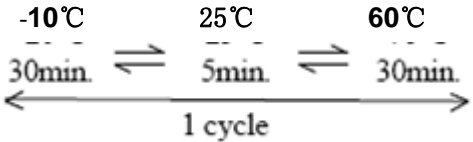
**9. INTERFACE PIN CONNECTIONS**
**CN1**

PIN	SYMBOL	I/O	FUNCTION		
1	FG	I	Frame Ground		
2	VSS	I	Ground pin, connected to 0V		
3	VDD	I	Power supply pin for logic .(+5V)		
4	NC	-	No connect		
5	/WR	I	Data write: Write data into T6963 when /WR is L.		
6	/RD	I	Data Read: Read data from T6963 when /RD is L.		
7	/CE	I	Chip enable for T6963: /CE must be L when CPU communicates with T6963		
8	C/D	I	C/D	/WR=L	/RD=L
			L	Data Write	Data Read
			H	Command Write	Status Read
9	NC	-	No connect		
10	/RST	I	Reset signal:		

			H: Normal (T6963 has internal pull-up resistor) L: Initialize T6963. Text and graphic have address and text and graphic area setting are retained.
11	DB0	I/O	Data I/O pins for display memory.
12	DB1	I/O	Data I/O pins for display memory.
13	DB2	I/O	Data I/O pins for display memory.
14	DB3	I/O	Data I/O pins for display memory.
15	DB4	I/O	Data I/O pins for display memory.
16	DB5	I/O	Data I/O pins for display memory.
17	DB6	I/O	Data I/O pins for display memory.
18	DB7	I/O	Data I/O pins for display memory.
19	LEDK	I	Backlight pin
20	LEDA	I	Backlight pin(2.1V)

## 10. RELIABILITY

### Content of Reliability Test

Environmental Test				
No.	Test Item	Content of Test	Test Condition	Applicable Standard
1	High temperature storage	Endurance test applying the high storage temperature for a long time.	70 °C 200 hrs	
2	Low temperature storage	Endurance test applying the low storage temperature for a long time.	-20 °C 200 hrs	
3	High temperature operation	Endurance test applying the electric stress (Voltage & Current) and the thermal stress to the element for a long time.	60 °C 200 hrs	
4	Low temperature operation	Endurance test applying the electric stress under low temperature for a long time.	-10 °C 200 hrs	
5	High temperature Humidity storage	Endurance test applying the high temperature and high humidity storage for a long time.	50 °C , 90 RH 96 hrs	MIL-202E-103B JIS-C5023
6	High temperature Humidity operation	Endurance test applying the electric stress (Voltage & Current) and temperature humidity stress to the element for a long time.	50 °C , 90 RH 96 hrs	MIL-202E-103B JIS-C5023
7	Temperature cycle	Endurance test applying the low and high temperature cycle.  	-10°C - 60°C 10 cycles	
Mechanical Test				

8	Vibration test	Endurance test applying the vibration during transportation and using.	10-22Hz → 1.5mmp-p  22-500Hz → 1.5G  Total 0.5hrs	MIL-202E-201A JIS-C5025 JIS-C7022-A-10
9	Shock test	Constructional and mechanical endurance test applying the shock during transportation.	50G half sign wave 1l msedc 3 times of each direction	MIL-202E-213B
10	Atmospheric pressure test	Endurance test applying the atmospheric pressure during transportation by air.	115 mbar 40 hrs	MIL-202E-105C
<b>Others</b>				
11	Static electricity test	Endurance test applying the electric stress to the terminal.	VS=800V, RS=1.5 k CS=100 pF 1 time	MIL-883B-3015.1

\*\*\* Supply voltage for logic system = 3V. Supply voltage for LCD system = Operating voltage at 25℃.

### Failure Judgment Criterion

Criterion Item	Test Item No.											Failure Judgment Criterion	
	1	2	3	4	5	6	7	8	9	10	11		
Basic specification													Out of the Basic Specification
Electrical characteristic													Out of the DC and AC Characteristic
Mechanical characteristic													Out of the Mechanical Specification Color change : Out of Limit Apperance Specification
Optical characteristic													Out of the Apperance Standard

## 11. QUALITY GUARANTEE

### Acceptable Quality Level

Each lot should satisfy the quality level defined as follows.

- Inspection method : MIL-STD-105E LEVEL II Normal one time sampling
- AQL

Partition	AQL	Definition
A: Major	0.4%	Functional defective as product
B: Minor	1.5%	Satisfy all functions as product but not satisfy cosmetic standard

### Definition of 'LOT'

One lot means the delivery quantity to customer at one time.

## Conditions of Cosmetic Inspection

### Environmental condition

The inspection should be performed at the 1cm of height from the LCD module under 2 pieces of 40W white fluorescent lamps (Normal temperature 20~25°C and normal humidity 60 ± 15%RH).

### Inspection method

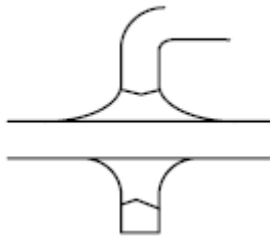

The visual check should be performed vertically at more than 30cm distance from the LCD panel.

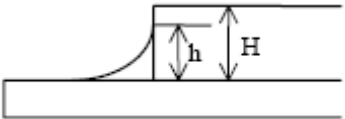
### Driving voltage

The VO value which the most optimal contrast can be obtained near the specified VO in the specification. (Within ± 0.5V of typical value at 25°C.).

## 12. INSPECTION CRITERIA

### 12.1 Module Cosmetic Criteria

No.	Item	Judgment Criterion	Partition
1	Difference in Spec.	None allowed	Major
2	Pattern peeling	No substrate pattern peeling and floating	Major
3	Soldering defects	No soldering missing No soldering bridge No cold soldering	Major Major Major
4	Resist flaw on substrate	Invisible copper foil ('0.5mm or more) on substrate pattern	Minor
5	Accretion of metallic Foreign matter	No soldering dust No accretion of metallic foreign matters (Not exceed '0.2mm)	Minor Minor
6	Stain	No stain to spoil cosmetic badly	Minor
7	Plate discoloring	No plate fading, rusting and discoloring	Minor
8	Solder amount	a. Soldering side of PCB Solder to form a 'Filet' all around the lead. Solder should not hide the lead form perfectly. (too much) b. Components side ( In case of 'Through Hole PCB' )  Solder to reach the Components side of PCB.	Minor
	1. Lead parts		
	2. Flat packages	Either 'Toe' (A) or 'Seal' (B) of the lead to be covered by 'Filet'.  Lead form to be assume over solder. A B 	Minor

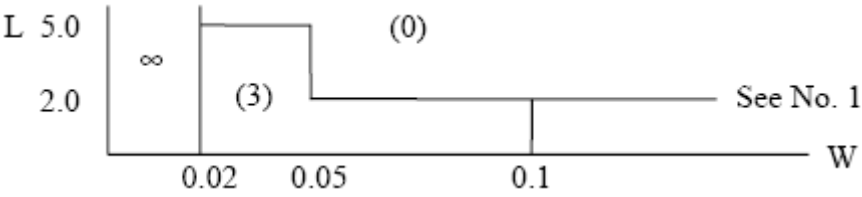
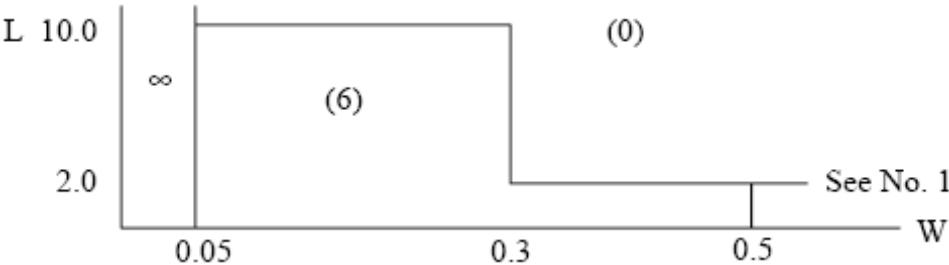
	3. Chips	$(3/2) H \geq h \geq (1/2) H$		Minor
--	----------	-------------------------------	--	-------

**12.2 Screen Cosmetic Criteria (Non-Operating)**

No.	Defect	Judgment Criterion	Partition										
1	Spots	In accordance with <i>Screen Cosmetic Criteria (Operating) No.1.</i>	Minor										
2	Lines	In accordance with <i>Screen Cosmetic Criteria (Operating) No.2.</i>	Minor										
3	Bubbles in polarizer	<table border="1" data-bbox="432 701 1305 898"> <thead> <tr> <th data-bbox="432 701 772 741">Size : d mm</th> <th data-bbox="772 701 1305 741">Acceptable Qty in active area</th> </tr> </thead> <tbody> <tr> <td data-bbox="432 741 772 781">d ≤ 0.3</td> <td data-bbox="772 741 1305 781">Disregard</td> </tr> <tr> <td data-bbox="432 781 772 822">0.3 &lt; d ≤ 1.0</td> <td data-bbox="772 781 1305 822">3</td> </tr> <tr> <td data-bbox="432 822 772 862">1.0 &lt; d ≤ 1.5</td> <td data-bbox="772 822 1305 862">1</td> </tr> <tr> <td data-bbox="432 862 772 902">1.5 &lt; d</td> <td data-bbox="772 862 1305 902">0</td> </tr> </tbody> </table>	Size : d mm	Acceptable Qty in active area	d ≤ 0.3	Disregard	0.3 < d ≤ 1.0	3	1.0 < d ≤ 1.5	1	1.5 < d	0	Minor
Size : d mm	Acceptable Qty in active area												
d ≤ 0.3	Disregard												
0.3 < d ≤ 1.0	3												
1.0 < d ≤ 1.5	1												
1.5 < d	0												
4	Scratch	In accordance with spots and lines operating cosmetic criteria. When the light reflects on the panel surface, the scratches are not to be remarkable.	Minor										
5	Allowable density	Above defects should be separated more than 30mm each other.	Minor										
6	Coloration	Not to be noticeable coloration in the viewing area of the LCD panels. Back-lit type should be judged with back-lit on state only.	Minor										
7	Contamination	Not to be noticeable.	Minor										

**12.3. Screen Cosmetic Criteria (Operating)**

No.	Defect	Judgment Criterion	Partition										
1	Spots	<p data-bbox="325 1442 523 1473">A) Clear Note :</p> <table border="1" data-bbox="333 1496 1286 1709"> <thead> <tr> <th data-bbox="333 1496 708 1536">Size : d mm</th> <th data-bbox="708 1496 1286 1536">Acceptable Qty in active area</th> </tr> </thead> <tbody> <tr> <td data-bbox="333 1536 708 1576">d ≤ 0.1</td> <td data-bbox="708 1536 1286 1576">Disregard</td> </tr> <tr> <td data-bbox="333 1576 708 1617">0.1 &lt; d ≤ 0.2</td> <td data-bbox="708 1576 1286 1617">3</td> </tr> <tr> <td data-bbox="333 1617 708 1657">0.2 &lt; d ≤ 0.3</td> <td data-bbox="708 1617 1286 1657">2</td> </tr> <tr> <td data-bbox="333 1657 708 1709">0.3 &lt; d</td> <td data-bbox="708 1657 1286 1709">0</td> </tr> </tbody> </table> <p data-bbox="325 1731 1246 1805">Including pin holes and defective dots which must be within one pixel size.</p> <p data-bbox="325 1816 549 1848">B) Unclear Size :</p>	Size : d mm	Acceptable Qty in active area	d ≤ 0.1	Disregard	0.1 < d ≤ 0.2	3	0.2 < d ≤ 0.3	2	0.3 < d	0	Minor
Size : d mm	Acceptable Qty in active area												
d ≤ 0.1	Disregard												
0.1 < d ≤ 0.2	3												
0.2 < d ≤ 0.3	2												
0.3 < d	0												

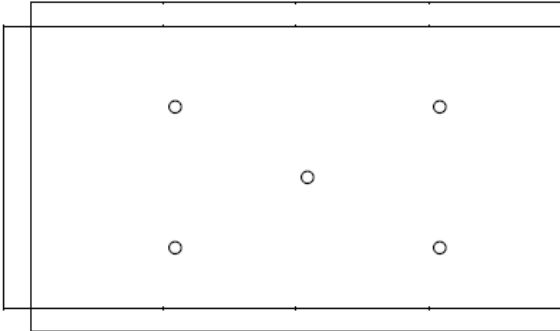
		<table border="1"> <tr> <th>Size : d mm</th> <th>Acceptable Qty in active area</th> </tr> <tr> <td><math>d \leq 0.2</math></td> <td>Disregard</td> </tr> <tr> <td><math>0.2 &lt; d \leq 0.5</math></td> <td>6</td> </tr> <tr> <td><math>0.5 &lt; d \leq 0.7</math></td> <td>2</td> </tr> <tr> <td><math>0.7 &lt; d</math></td> <td>0</td> </tr> </table>	Size : d mm	Acceptable Qty in active area	$d \leq 0.2$	Disregard	$0.2 < d \leq 0.5$	6	$0.5 < d \leq 0.7$	2	$0.7 < d$	0	
Size : d mm	Acceptable Qty in active area												
$d \leq 0.2$	Disregard												
$0.2 < d \leq 0.5$	6												
$0.5 < d \leq 0.7$	2												
$0.7 < d$	0												
2	Lines	<p>A) Clear</p>  <p>Note : ( ) - Acceptable Qty in active area L          -Length (mm) W - Width (mm)  <math>\infty</math> - Disregard</p> <p>B) Unclear</p> 	Minor										

'Clear' = The shade and size are not changed by VO.

'Unclear' = The shade and size are changed by VO.

#### 12.4. Screen Cosmetic Criteria (Operating) (Continued)

No.	Defect	Judgment Criterion	Partition
3	Rubbing line	Not to be noticeable.	
4	Allowable density	Above defects should be separated more than 10mm each other.	Minor
5	Rainbow	Not to be noticeable.	Minor
6	Dot size	To be 95% ~ 105% of the dot size (Typ.) in drawing. Partial defects of each dot (ex. pin-hole) should be treated as 'Spot'. (see <i>Screen Cosmetic Criteria (Operating) No.1</i> )	Minor

7	Uneven brightness (only back-lit type module)	<p>Uneven brightness must be <math>B_{MAX} / B_{MIN} \leq 2</math></p> <ul style="list-style-type: none"> <li>- <math>B_{MAX}</math> : Max. value by measure in 5 points</li> <li>- <math>B_{MIN}</math> : Min. value by measure in 5 points</li> </ul> <p>Divide active area into 4 vertically and horizontally. Measure 5 points shown in the following figure.</p>  <p>○ : Measuring points</p>	Minor
---	---	--	-------

**Note :**

- (1) Size :  $d = (\text{long length} + \text{short length}) / 2$
- (2) The limit samples for each item have priority.

(3) Complexed defects are defined item by item, but if the number of defects are defined in above table, the total number should not exceed 10.

(4) In case of 'concentration', even the spots or the lines of 'disregarded' size should not allowed.

Following three situations should be treated as 'concentration'.

- 7 or over defects in circle of '5mm.
- 10 or over defects in circle of '10mm.
- 20 or over defects in circle of '20mm.

### 13. PRECAUTIONS FOR USING LCD MODULES

#### Handing Precautions

- (1) The display panel is made of glass. Do not subject it to a mechanical shock by dropping it or impact.
- (2) If the display panel is damaged and the liquid crystal substance leaks out, be sure not to get any in your mouth. If the substance contacts your skin or clothes, wash it off using soap and water.
- (3) Do not apply excessive force to the display surface or the adjoining areas since this may cause the color tone to vary.
- (4) The polarizer covering the display surface of the LCD module is soft and easily scratched. Handle this polarizer carefully.
- (5) If the display surface becomes contaminated, breathe on the surface and gently wipe it with a soft dry cloth. If it is heavily contaminated, moisten cloth with one of the following solvents :
  - Isopropyl alcohol
  - Ethyl alcohol
- (6) Solvents other than those above-mentioned may damage the polarizer. Especially, do not use the following.
  - Water

- Ketone
- Aromatic solvents

(7) Exercise care to minimize corrosion of the electrode. Corrosion of the electrodes is accelerated by water droplets, moisture condensation or a current flow in a high-humidity environment.

(8) Install the LCD Module by using the mounting holes. When mounting the LCD module make sure it is free of twisting, warping and distortion. In particular, do not forcibly pull or bend the IO cable or the backlight cable.

(9) Do not attempt to disassemble or process the LCD module.

(10) NC terminal should be open. Do not connect anything.

(11) If the logic circuit power is off, do not apply the input signals.

(12) To prevent destruction of the elements by static electricity, be careful to maintain an optimum work environment.

- Be sure to ground the body when handling the LCD modules.
- Tools required for assembling, such as soldering irons, must be properly grounded.
- To reduce the amount of static electricity generated, do not conduct assembling and other work under dry conditions.

- The LCD module is coated with a film to protect the display surface. Exercise care when peeling off this protective film since static electricity may be generated.

### **Storage Precautions**

When storing the LCD modules, avoid exposure to direct sunlight or to the light of fluorescent lamps. Keep the modules in bags (avoid high temperature ~ high humidity and low temperatures below 0°C). Whenever possible, the LCD modules should be stored in the same conditions in which they were shipped from our company.

### **Others**

Liquid crystals solidify under low temperature (below the storage temperature range) leading to defective orientation or the generation of air bubbles (black or white). Air bubbles may also be generated if the module is subject to a low temperature.

If the LCD modules have been operating for a long time showing the same display patterns, the display patterns may remain on the screen as ghost images and a slight contrast irregularity may also appear. A normal operating status can be regained by suspending use for some time. It should be noted that this phenomenon does not adversely affect performance reliability.

To minimize the performance degradation of the LCD modules resulting from destruction caused by static electricity etc., exercise care to avoid holding the following sections when handling the modules.

- Exposed area of the printed circuit board.
- Terminal electrode sections.

## **14. USING LCD MODULES**

### **Liquid Crystal Display Modules**

LCD is composed of glass and polarizer. Pay attention to the following items when handling.

(1) Please keep the temperature within specified range for use and storage. Polarization degradation, bubble generation or polarizer peel-off may occur with high temperature and high humidity.

---

(2) Do not touch, push or rub the exposed polarizers with anything harder than an HB pencil lead (glass, tweezers, etc.).

(3) N-hexane is recommended for cleaning the adhesives used to attach front/rear polarizers and reflectors made of organic substances which will be damaged by chemicals such as acetone, toluene, ethanol and isopropylalcohol.

(4) When the display surface becomes dusty, wipe gently with absorbent cotton or other soft material like chamois soaked in petroleum benzin. Do not scrub hard to avoid damaging the display surface.

(5) Wipe off saliva or water drops immediately, contact with water over a long period of time may cause deformation or color fading.

(6) Avoid contacting oil and fats.

(7) Condensation on the surface and contact with terminals due to cold will damage, stain or dirty the polarizers. After products are tested at low temperature they must be warmed up in a container before coming is contacting with room temperature air.

(8) Do not put or attach anything on the display area to avoid leaving marks on.

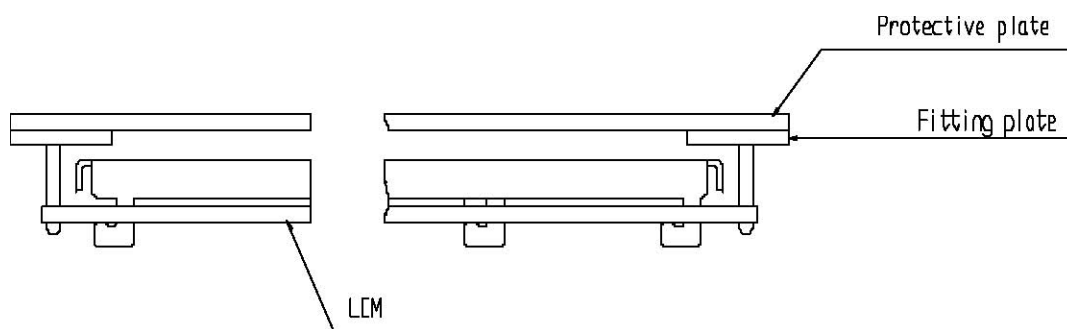
(9) Do not touch the display with bare hands. This will stain the display area and degradate insulation between terminals (some cosmetics are determinated to the polarizers).

(10) As glass is fragile. It tends to become or chipped during handling especially on the edges. Please avoid dropping or jarring.

### Installing LCD Modules

The hole in the printed circuit board is used to fix LCM as shown in the picture below. Attend to the following items when installing the LCM.

(1) Cover the surface with a transparent protective plate to protect the polarizer and LC cell.



(2) When assembling the LCM into other equipment, the spacer to the bit between the LCM and the fitting plate should have enough height to avoid causing stress to the module surface, refer to the individual specifications for measurements. The measurement tolerance should be 0.1mm.

### Precaution for Handling LCD Modules

Since LCM has been assembled and adjusted with a high degree of precision, avoid applying excessive shocks to the module or making any alterations or modifications to it.

(1) Do not alter, modify or change the the shape of the tab on the metal frame.

(2) Do not make extra holes on the printed circuit board, modify its shape or change the positions of components to be attached.

(3) Do not damage or modify the pattern writing on the printed circuit board.

- (4) Absolutely do not modify the zebra rubber strip (conductive rubber) or heat seal connector.
- (5) Except for soldering the interface, do not make any alterations or modifications with a soldering iron.
- (6) Do not drop, bend or twist LCM.

#### **Electro-Static Discharge Control**

Since this module uses a CMOS LSI, the same careful attention should be paid to electrostatic discharge as for an ordinary CMOS IC.

- (1) Make certain that you are grounded when handing LCM.
- (2) Before remove LCM from its packing case or incorporating it into a set, be sure the module and your body have the same electric potential.
- (3) When soldering the terminal of LCM, make certain the AC power source for the soldering iron does not leak.
- (4) When using an electric screwdriver to attach LCM, the screwdriver should be of ground potentiality to minimize as much as possible any transmission of electromagnetic waves produced sparks coming from the commutator of the motor.
- (5) As far as possible make the electric potential of your work clothes and that of the work bench the ground potential.
- (6) To reduce the generation of static electricity be careful that the air in the work is not too dried. A relative humidity of 50%60% is recommended.

#### **Precaution for soldering to the LCM**

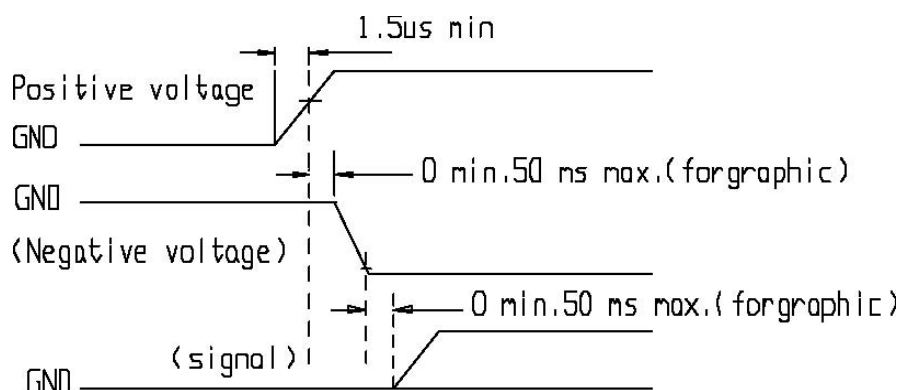
- (1) Observe the following when soldering lead wire, connector cable and etc. to the LCM.
  - Soldering iron temperature : 280□C 10□C.
  - Soldering time : 3-4 sec.
  - Solder : eutectic solder.

If soldering flux is used, be sure to remove any remaining flux after finishing to soldering operation. (This does not apply in the case of a non-halogen type of flux.) It is recommended that you protect the LCD surface with a cover during soldering to prevent any damage dur to flux spatters.

- (2) When soldering the electroluminescent panel and PC board, the panel and board should not be detached more than three times. This maximum number is determined by the temperature and time conditions mentioned above, though there may be some variance depending on the temperature of the soldering iron.
- (3) When remove the electroluminescent panel from the PC board, be sure the solder has completely melted, the soldered pad on the PC board could be damaged.

#### **Precautions for Operation**

- (1) Viewing angle varies with the change of liquid crystal driving voltage (VO). Adjust VO to show the best contrast.
- (2) Driving the LCD in the voltage above the limit shortens its life.
- (3) Response time is greatly delayed at temperature below the operating temperature range. However, this does not mean the LCD will be out of the order. It will recover when it returns to the specified temperature range.
- (4) If the display area is pushed hard during operation, the display will become abnormal. However, it will return to normal if it is turned off and then back on.
- (5) Condensation on terminals can cause an electrochemical reaction disrupting the terminal circuit. Therefore, it must be used under the relative condition of 40□C , 50% RH.
- (6) When turning the power on, input each signal after the positive/negative voltage becomes stable.



### Storage

When storing LCDs as spares for some years, the following precaution are necessary.

- (1) Store them in a sealed polyethylene bag. If properly sealed, there is no need for dessicant.
- (2) Store them in a dark place. Do not expose to sunlight or fluorescent light, keep the temperature between 0°C and 35°C.
- (3) The polarizer surface should not come in contact with any other objects. (We advise you to store them in the container in which they were shipped.)

### Safety

- (1) It is recommended to crush damaged or unnecessary LCDs into pieces and wash them off with solvents such as acetone and ethanol, which should later be burned.
- (2) If any liquid leaks out of a damaged glass cell and comes in contact with the hands, wash off thoroughly with soap and water.

### Limited Warranty

Unless agreed between YAOYU and customer, YAOYU will replace or repair any of its LCD modules which are found to be functionally defective when inspected in accordance with YAOYU LCD acceptance standards (copies available upon request) for a period of one year from date of shipments. Cosmetic/visual defects must be returned to YAOYU within 90 days of shipment. Confirmation of such date shall be based on freight documents. The warranty liability of YAOYU limited to repair and/or replacement on the terms set forth above. YAOYU will not be responsible for any subsequent or consequential events.

### Return LCM under warranty

No warranty can be granted if the precautions stated above have been disregarded. The typical examples of violations are :

- Broken LCD glass.
- PCB eyelet's damaged or modified.
- PCB conductors damaged.
- Circuit modified in any way, including addition of components.
- PCB tampered with by grinding, engraving or painting varnish.
- soldering to or modifying the bezel in any manner.

Module repairs will be invoiced to the customer upon mutual agreement. Modules must be returned with sufficient description of the failures or defects. Any connectors or cable installed by the customer must be removed completely without damaging the PCB eyelet's, conductors and terminals.