

# SPECIFICATION



## YMSC-C12232CDBSWWN

August 30, 2008  
Version 1.0



## RECORDS OF REVISION

DATE	REVISED NO.	REVISED DESCRIPTIONS	PREPARED	CHECKED	APPROVED
August 30, 2008	1.00	FIRST ISSUE	ynn		

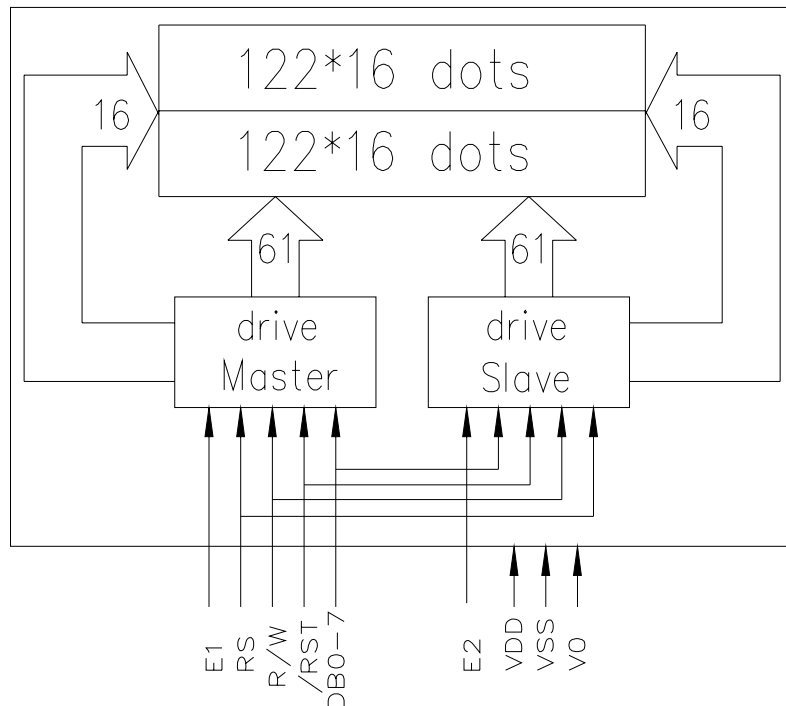


## CONTENTS

1.	FEATURES .....	1
2.	BLOCK DIAGRAM .....	1
3.	ABSOLUTE MAXIMUM RATING .....	1
4.	DC CHARACTERISTICS .....	2
5.	AC CHARACTERISTICS .....	2
6.	OPTICAL CHARACTERISTICS .....	2
7.	PIN ASSIGNMENT .....	3
8.	OUTLINE DIMENSIONS .....	4
9.	INSTRUCTION CODE TABLE .....	5
10.	DDRAM ADDRESS TABLE .....	6
11.	APPLICATION EXAMPLES .....	6
12.	RELIABILITY .....	12
13.	QUALITY GUARANTEE .....	13
14.	INSPECTION CRITERIA .....	14
15.	PRECAUTIONS FOR USING LCD MODULES .....	17
16.	USING LCD MODULES .....	18

**1. FEATURES**

ITEM	STANDARD VALUE	UNIT
Display Type	122*32 dots	-
LCD Type	STN, Blue, Transmissive, Negative	-
LCD Duty	1/32	-
Viewing Direction	6:00	
Backlight Type	Side White LED Backlight	-
Interface	8-BIT MPU (6800)	-
Driver IC	SED1520	-
LCD Bias	1/5 BIAS	-
Module Dimension	76.4(W)X29.1(H)X6.0(T)	mm
Effective Display Area	48.76(W)X15.32(H)	mm
Dot Size	0.36(W)X0.41(H)	mm
Dot Pitch	0.40(W)X0.45(H)	mm

**2. BLOCK DIAGRAM**

**3. ABSOLUTE MAXIMUM RATINGS**

Item	Symbol	Standard Value	Unit	Condition
Power supply voltage	VDD	0~+7.0	V	
Input voltage	VIN	GND≤VIN≤VDD		
Operating temperature range	Top	-10~+60	°C	No condition
Storage temperature range	Tst	-20~+70		

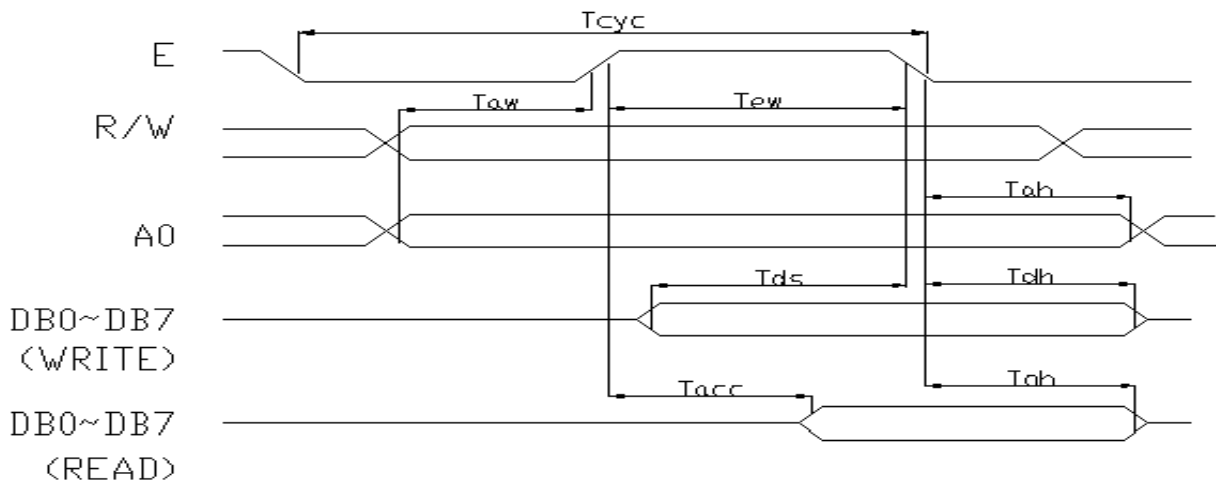


4. DC CHARACTERISTICS: (Ta=-10--60°C, VDD=2.7--6.0V)

Item	Symbol	Standard Value	Unit
Power Supply	VDD	5.0	V
LCD Driving Voltage	VLCD	4.7	V
Input High Voltage	VIN	0.8VDD≤VIN≤VDD	V
Output High Voltage	VOH	0.5VDDmin	V
Input Low Voltage	VIL	0≤VIL≤0.2VDD	V
Output Low Voltage	VOL	0.1VDDmax	V
Power Supply Current	IDD	2max	mA
LCD Power Supply Current	ILCD	220max	uA
Backlight Voltage	V-BL	3.0	V
Backlight Current	I-BL	---	mA

5. AC CHARACTERISTICS

Signal	Parameter	Symbol	MIN	MAX	Unit	Condition
A0, /RW	System cycle time	Tcyc	2000	--	ns	
	Address setup time	Taw	40	--	ns	
	Address hold time	Tah	20	--	ns	
DB0~DB7	Data setup time	Tds	160	--	ns	CL=100p F
	Data hold time	Tdh	20	--		
	Output disable time	Tch	20	120	ns	
	Access time	Tacc	--	180	ns	
E	Enable pulse width(Read)	Tew	200	--	ns	
	Enable pulse width(Write)		160	--		
Input wave width rise time		Tr	--	15	ns	



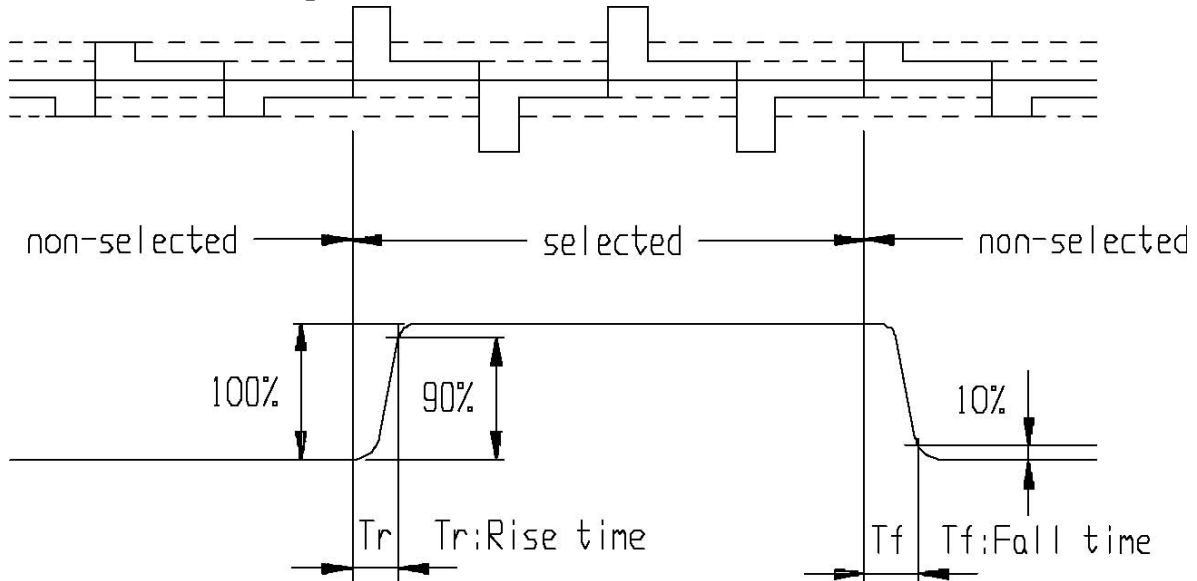
6. OPTICAL CHARACTERISTICS

Item	Symbol	Condition	Min	Typ	Max	Unit	Remarks	Note
Response Time	Tr	-	-	110	220	ms	-	1
	Tf	-	-	260	520	ms	-	1
Contrast Ratio	Cr	-	-	3	-	-	-	2
Viewing Angle	θ	Cr≥2	-	-	30	deg	∅=90	3
			-	-	30	deg	∅=270	3

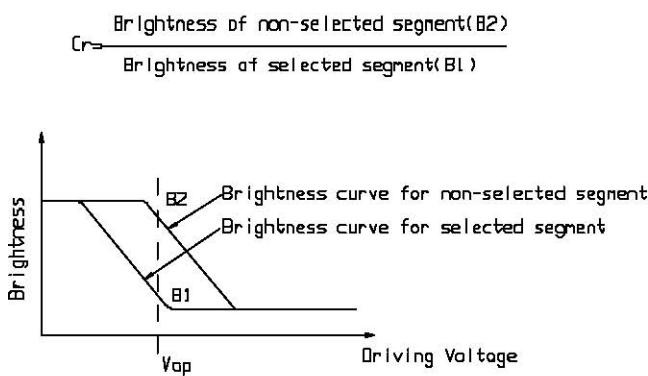


Range			15	-	105	deg	$\varnothing = 0$	3
			-	-	-	deg	$\varnothing = 180$	3

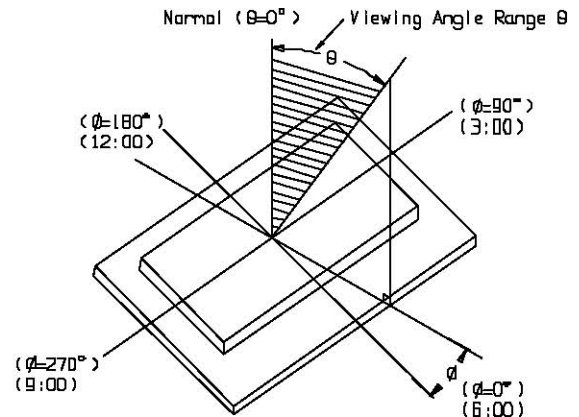
**Note 1. Definition of response time**



**Note 2. Definition of Contrast Ratio 'Cr'**



**Note 3. Definition of Viewing Angle Range**



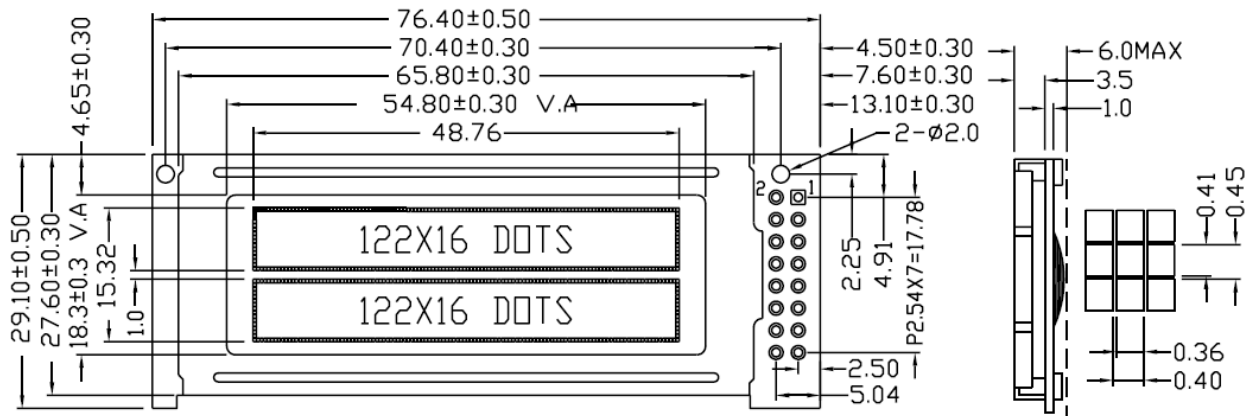
**7. PIN ASSIGNMENT**

PIN NO.	Symbol	Level	Function
1	VDD	+5.0V	Power supply for Logic
2	VSS	0	Ground
3	V0	0~+5V	Power supply for LCD Driver
4	/RST	H/L	Reset signal. Low-Active
5	E1	H/L	Enable signal for left of the panel(High-Active)
6	E2	H/L	Enable signal for right of the panle(High-Active)
7	R/W	H/L	Read/Write select signal R/W=H: Read; R/W=L: WRITE.
8	RS	H/L	Register selection signal RS=H: Data register RS=L: Instruction register



9	DB0	H/L	Data bit 0
10	DB1	H/L	Data bit 1
11	DB2	H/L	Data bit 2
12	DB3	H/L	Data bit 3
13	DB4	H/L	Data bit 4
14	DB5	H/L	Data bit 5
15	DB6	H/L	Data bit 6
16	DB7	H/L	Data bit 7

### 8. OUTLINE DIMENSIONS



### 9. INSTRUCTION CODE TABLE

INSTRCTI ON	CODE										FUNCTION
	R/W	D/I	D7	D6	D5	D4	D3	D2	D1	D0	
DISPLAY ON/OFF	0	0	1	0	1	0	1	1	1	1/0	Switch the entire display ON or OFF, regardless of the display RAM's Data or the internal status. 1: ON 0: OFF
Display Start Line	0	0	1	1	0	Display start Line (0 •••• 31)				Determines the line of RAM data to be displayed at the display's top line (COM0)	
Page Address set	0	0	1	0	1	1	1	0	PAGE: (0~3)		Sets the page of the Display in the Address register(X address)
Column (seg) Address set	0	0	0	Column address(0~79)							Sets the column of the Display in the column address register(Y address)
Status Read	1	0	B u s y	A D C	ON / OFF	R S T	0	0	0	0	Read status Busy 1:insternal operation 0:Ready ADC 1:Rightward output 0:Leftward



											RST 1:Resetting 0:Normal ON/OFF 1:Display on 0:Display off
Write Display Data	0	1	Write data								Writes the data on the Data bus to RAM
Read Display Data	1	1	Read data								Reads data from the Display RAM onto the Data BUS
ADC Select	0	0	1	0	1	0	0	0	0	0/1	Determine the clockwise or Counterclockwise reading of the display Data RAM 0: Clockwise 1: Counterclockwise
Static Drive ON/OFF	0	0	1	0	1	0	0	1	0	0/1	Select the dynamic or static Driving. 1:Static driving 0: Dynamic driving
Duty Ratio Select	0	0	1	0	1	0	1	0	0	0/1	Select the duty ratio 1:1/32 duty 0:1/16 duty
Read Modify Write	0	0	1	1	1	0	0	0	0	0	Increment the column Address register when writing. But no-change when reading.
End	0	0	1	1	1	0	1	1	1	0	Release from the Read Modify Write Mode.
Reset	0	0	1	1	1	0	0	0	1	1	Set the Display Start Line Register to 1 <sup>st</sup> line, column Address count to 0 and Page Add. Resister to 0.
Power Save(dual command)	0 0	0 0	0 0	1 1	0 0	1 1	0 0	1 1	1 0	0 1	Set the power save mode by selecting display off and static driving on

### 10. DDRAM ADDRESS TABLE

Page	Data		Com No	Drive
2	D0	:	1	Slave
	:	:		
3	D7	122 X 16 PLXELS	:	
	:	:	16	
0	D0	:	17	
	:	:		
	D7	122 X 16 PLXELS	:	

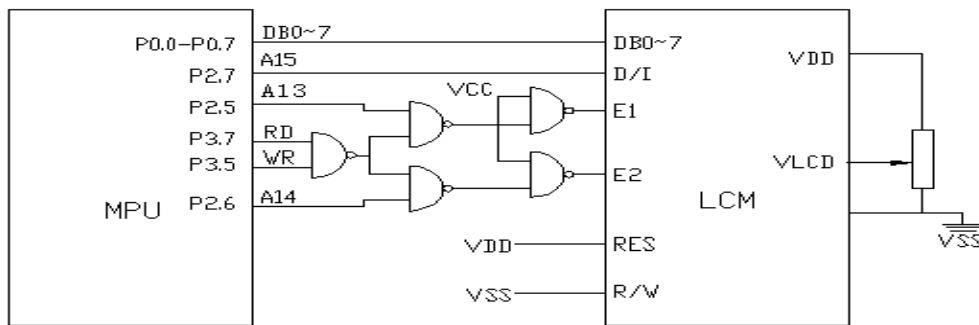


1	D0 : D7	: : 122 X 16 PLXELS	: 32	Master
Column Addr	ADC=0	00H ..... 3C	00H ..... 3C	
	Seg No	0 ..... 60	0 ..... 60	
	Drive	Slave	Master	

## 11. APPLICATION EXAMPLES

YM12232C has two access mode : direct access mode and indirect access mode.

The following picture is the YM12232C connecting to the singlechip 8031's direct access. (VDD=5.0V)



Using the above circuit, we introduce the programme example.

```

ORG 0100H
INITM: MOV A, #0E2H          ; RESET
        LCALL OUTMI
        LCALL OUTSI
        MOV A, #0AEH         ; OFF DISPLAY
        LCALL OUTMI
        LCALL OUTSI
        MOV A, #0A4H        ; OFF STATIC DRIVE
        LCALL OUTMI
        LCALL OUTSI
        MOV A, #0A9H        ; SELECT 1/32 DUTY
        LCALL OUTMI
        LCALL OUTSI
        MOV A, #0A0H        ; ADC SELECT RIGHTWARS OUTPUT
        LCALL OUTMI
        LCALL OUTSI
        MOV A, #0EEH        ; READ MODIFY WRITE OFF
        LCALL OUTMI
        LCALL OUTSI
        MOV A, #00H         ; COLUMN ADDRESS SET
        LCALL OUTMI

```



```
LCALL OUTSI
MOV A, #0C0H ; SET DISPLAY START LINE
LCALL OUTMI
LCALL OUTSI
MOV A, #0AFH ; ON DISPLAY
LCALL OUTMI
LCALL OUTSI
; DISPLAY “*”
MOV R2, #0B8H
DIS2: MOV A, R2
LCALL OUTMI
LCALL OUTSI
MOV A, #00H
LCALL OUTMI
LCALL OUTSI
MOV R1, #1FH
DIS1: MOV A, #55H
LCALL OUTMI
LCALL OUTSI
MOV A, #0AAH
LCALL OUTMI
LCALL OUTSI
DJNZ R1, DIS1
INC R2
CJNE R2, #0BCH, DIS2
LCALL MS40
LCALL MS40
LCALL MS40
LCALL MS40
MOV A, #0AFH
; DISPLAY “横条”
MOV R2, #0B8H
DIS3: MOV A, R2
LCALL OUTMI
LCALL OUTSI
MOV A, #00H
LCALL OUTMI
LCALL OUTSI
MOV R1, #3DH
DIS4: MOV A, #55H
LCALL OUTMD
LCALL OUTSD
```



```
DJNZ R1 , DIS4
INC R2
CJIE R2, #0BCH, DIS3
LCALL MS40
LCALL MS40
LCALL MS40
LCALL MS40
MOV A, #0AFH
LCALL OUTMI
LCALL OUTSI
```

; DISPLAY “竖条”

```
MOV R2, #0B8H
DIS5: MOV A, R2
LCALL OUTMI
LCALL OUTSI
MOV A, #00H
LCALL OUTMI
LCALL OUTSI
MOV R1, #1EH
DIS6: MOV A, #00H
LCALL OUTMI
LCALL OUTSI
MOV A, #0FFH
LCALL OUTMI
LCALL OUTSI
DJNZ R1, DIS6
MOV A, #3CH
LCALL OUTMI
LCALL OUTSI
MOV A, #00H
LCALL OUTMI
LCALL OUTSI
INC R2
CJNE R2, #0BCH, DIS5
LCALL MS40
LCALL MS40
LCALL MS40
LCALL MS40
MOV A, #0AFH
```

; DISPLAY 汉字 “两只黄鹂鸣翠柳 一行白鹭上青天”



```
INITMC: MOV DPTR, #CHINESE
        MOV R1, #00H
        MOV B, #B8H
DISPWORDM: PUSH B
          MOV A, B
          LCALL OUTMI
          LCALL OUTST
          MOV A, #00H
          LCALL OUTMI
          MOV R2, #7AH
DISPWORD1: MOV A, R1
          MOVC A, @A+DPTR
          LCALL OUTMD
          INC DPTR
          DEC R2
          CJNE R2, #3DH, DISPWORD1
          MOV A, #00H
          LCALL OUTST
DISPWORD2: MOV A, R1
          MOVC A, @A+DPTR
          LCALL OUTSD
          INC DPTR
          DJNZ R2, DISPWORD2

          MOV R1, #00H
          POP B
          INC B
          MOV A, B
          CINZ A, #0BCH, DISPWORDM
          LCALL MS40
          LCALL MS40
          LCALL MS40
          LCALL MS40

          AJMP INITM

MS40: MOV R7, #0E8H
MS2:  MOV R6, #0FFH
MS1:  DJNA R6, MS1
      DJNZ R7, MS2
      RET
```



; OUT INSTRUCTION TO MASTER 6450

```
OUTMI: PUSH DPH
      PUSH DPL
      MOV DPTR, #6000H
      MOVX @DPTR, A
      POP DPL
      POP DPH
      RET
```

; OUT INSTRUCTION TO SLAVE 6450

```
OUTSI: PUSH DPH
      PUSH DPL
      MOV DPTR, #5000H
      MOVX @DPTR, A
      POP DPL
      POP DPH
      RET
```

; OUT DATA TO MASTER 6450

```
OUTMD: PUSH DPH
      PUSH DPL
      MOV DPTR, #0E000H
      MOVX @DPTR, A
      POP DPL
      POP DPH
      RET
```

; OUT DATA TO SLAVE 6450

```
OUTSD: PUSH DPH
      PUSH DPL
      MOV DPTR, #0D000H
      MOVX @DPTR, A
      POP DPL
      POP DPH
      RET
```

CHINESE:; (PAGE0)

DB 00H, 00H

DB 00H, 80H, 80H, 80H, 80H, 80H, 80H, 80H, 80H, 80H, 80H, 80H, 80H, 80H, 80H, 0C0H, 80H, 00

DB 00, 00, 10H, 88H, 0C4H, 23H, 40H, 42H, 42H, 42H, 42H, 42H, 0C2H, 43H, 62H, 40H, 00

DB 00, 00, 00, 0F8H, 08H, 0CH, 0AH, 09H, 08H, 08H, 08H, 08H, 08H, 0FCH, 08H, 00, 00

DB 00, 80H, 0EEH, 8AH, 0FAH, 0AAH, 0AEH, 80H, 24H, 0E3H, 0B6H, 0AAH, 0B6H, 0E2H, 20H, 20H, 00



DB 00, 00, 00, 00, 00, 00, 00, 00, 00, 0FFH, 20H, 20H, 20H, 30H, 20H, 00, 00, 00  
 DB 00, 40H, 44H, 54H, 54H, 54H, 54H, 54H, 7FH, 54H, 54H, 54H, 54H, 56H, 44H, 40H, 00  
 DB 00, 40H, 42H, 42H, 42H, 42H, 42H, 42H, 0FEH, 42H, 42H, 42H, 42H, 43H, 62H, 40H, 00  
 0B 00

; (PAGE1)

DB 00, 00  
 0B 00, 00, 00, 00, 00, 00, 00, 00, 00, 00, 00, 00, 00, 00, 00, 00, 00, 00  
 DB 00, 02H, 01H, 00, 0FFH, 00, 00, 00, 00, 00, 40H, 80H, 7FH, 00, 00, 00, 00  
 DB 00, 00, 00, 7FH, 21H, 21H, 21H, 21H, 21H, 21H, 21H, 21H, 21H, 7FH, 00, 00, 00  
 DB 00, 00, 40H, 40H, 5H, 52H, 53H, 56H, 5AH, 52H, 5AH, 56H, 90H, 90H, 78H, 10H, 00  
 DB 00, 40H, 40H, 40H, 40H, 40H, 40H, 40H, 7FH, 40H, 40H, 40H, 40H, 40H, 60H, 40H, 00  
 DB 00, 00, 00, 00, 0FFH, 15H, 15H, 15H, 15H, 15H, 55H, 95H, 7FH, 00, 00, 00, 00  
 DB 00, 80H, 80H, 40H, 20H, 10H, 0CH, 03H, 00, 03H, 0CH, 10H, 20H, 40H, 0C0H, 40H, 00  
 DB 00

; (PAGE2)

DB 00, 00  
 DB 00, 02H, 02H, 0F2H, 12H, 12H, 0FEH, 12H, 12H, 12H, 0FEH, 12H, 12H, 0F2H, 03H, 02H, 00  
 DB 00, 00, 00, 00, 0FCH, 04H, 04H, 04H, 04H, 04H, 04H, 04H, 0FEH, 04H, 00, 00, 00  
 DB 00, 20H, 20H, 24H, 24H, 24H, 3FH, 24H, 0E4H, 24H, 3FH, 24H, 24H, 24H, 30H, 20H, 00  
 DB 00, 04H, 0E4H, 24H, 0E4H, 04H, 0E4H, 26H, 0E4H, 00, 0FCH, 06H, 55H, 84H, 7CH, 00, 00  
 DB 00, 00, 0FCH, 04H, 04H, 0FCH, 04H, 00, 0FCH, 06H, 15H, 44H, 84H, 7EH, 04H, 00, 00  
 DB 00, 00, 40H, 41H, 55H, 0C9H, 41H, 5FH, 60H, 41H, 55H, 0C9H, 41H, 5FH, 40H, 00, 00  
 DB 00, 10H, 0D0H, 0FFH, 90H, 10H, 0FEH, 02H, 02H, 0F9H, 00, 0FEH, 02H, 02H, 0FFH, 02H, 00  
 DB 00

; (PAGE3)

DB 00, 00  
 DB 00, 00, 00, 0FFH, 08H, 04H, 03H, 14H, 08H, 04H, 03H, 44H, 98H, 7FH, 00, 00, 00  
 DB 00, 00, 80H, 40H, 23H, 11H, 19H, 01H, 01H, 01H, 09H, 11H, 23H, 60H, 0C0H, 00, 00  
 DB 00, 00, 80H, 80H, 5FH, 55H, 35H, 15H, 1FH, 15H, 35H, 35H, 5FH, 40H, 80H, 00, 00  
 DB 00, 00, 7FH, 02H, 7FH, 00, 7FH, 02H, 7FH, 10H, 13H, 12H, 1AH, 52H, 82H, 7EH, 00  
 DB 00, 00, 0FH, 04H, 04H, 0FH, 10H, 10H, 13H, 12H, 12H, 1AH, 52H, 82, 7FH, 02H, 00  
 DB 00, 08H, 08H, 0AH, 09H, 08H, 09H, 0AH, 0FCH, 0AH, 09H, 08H, 09H, 0AH, 08H, 08H, 00  
 DB 00, 01H, 00, 0FFH, 00, 01H, 8FH, 44H, 22H, 1FH, 00, 0FFH, 08H, 10H, 0FH, 00, 00  
 DB 00

## 12. RELIABILITY

### Content of Reliability Test

<b>Environmental Test</b>				
<b>No.</b>	<b>Test Item</b>	<b>Content of Test</b>	<b>Test Condition</b>	<b>Applicable Standard</b>
1	High temperature storage	Endurance test applying the high storage temperature for a long time.	70 °C 200 hrs	
2	Low temperature storage	Endurance test applying the low storage temperature for a long time.	-20 °C 200 hrs	
3	High temperature operation	Endurance test applying the electric stress (Voltage & Current) and the thermal stress to the element for a long time.	60 °C 200 hrs	
4	Low temperature operation	Endurance test applying the electric stress under low temperature for a long time.	-10 °C 200 hrs	
5	High temperature Humidity storage	Endurance test applying the high temperature and high humidity storage for a long time.	50 °C , 90 RH 96 hrs	MIL-202E-103B JIS-C5023
6	High temperature Humidity operation	Endurance test applying the electric stress (Voltage & Current) and temperature humidity stress to the element for a long time.	50 °C , 90 RH 96 hrs	MIL-202E-103B JIS-C5023
7	Temperature cycle	Endurance test applying the low and high temperature cycle. $  \begin{array}{c}  -10^{\circ}\text{C} \quad 25^{\circ}\text{C} \quad 60^{\circ}\text{C} \\  \begin{array}{c}  \xleftarrow{30\text{min.}} \quad \xrightarrow{5\text{min.}} \quad \xleftarrow{30\text{min.}} \\  \xleftarrow{\hspace{10em}} \hspace{10em} \xrightarrow{\hspace{10em}} \\  \text{1 cycle}  \end{array}  \end{array}  $	-10°C - 60°C 10 cycles	
<b>Mechanical Test</b>				
8	Vibration test	Endurance test applying the vibration during transportation and using.	10-22Hz → 1.5mmp-p 22-500Hz → 1.5G Total 0.5hrs	MIL-202E-201A JIS-C5025 JIS-C7022-A-10
9	Shock test	Constructional and mechanical endurance test applying the shock during transportation.	50G half sign wave 11 msec 3 times of each direction	MIL-202E-213B
10	Atmospheric pressure test	Endurance test applying the atmospheric pressure during transportation by air.	115 mbar 40 hrs	MIL-202E-105C
<b>Others</b>				
11	Static electricity test	Endurance test applying the electric stress to the terminal.	VS=800V, RS=1.5 k CS=100 pF 1 time	MIL-883B-3015.1

\*\*\* Supply voltage for logic system = 3V. Supply voltage for LCD system = Operating voltage at 25°C.

**Failure Judgment Criterion**

Criterion Item	Test Item No.											Failure Judgment Criterion
	1	2	3	4	5	6	7	8	9	10	11	
Basic specification												Out of the Basic Specification
Electrical characteristic												Out of the DC and AC Characteristic
Mechanical characteristic												Out of the Mechanical Specification Color change : Out of Limit Apperance Specification
Optical characteristic												Out of the Apperance Standard

**13 QUALITY GUARANTEE**
**Acceptable Quality Level**

Each lot should satisfy the quality level defined as follows.

- Inspection method : MIL-STD-105E LEVEL II Normal one time sampling
- AQL

Partition	AQL	Definition
A: Major	0.4%	Functional defective as product
B: Minor	1.5%	Satisfy all functions as product but not satisfy cosmetic standard

**Definition of 'LOT'**

One lot means the delivery quantity to customer at one time.

**Conditions of Cosmetic Inspection**
**Environmental condition**

The inspection should be performed at the 1cm of height from the LCD module under 2 pieces of 40W white fluorescent lamps (Normal temperature 20~25°C and normal humidity 60 ± 15%RH).

**Inspection method**

The visual check should be performed vertically at more than 30cm distance from the LCD panel.

**Driving voltage**

The VO value which the most optimal contrast can be obtained near the specified VO in the specification. (Within ± 0.5V of typical value at 25°C.).

**14. INSPECTION CRITERIA**
**14.1 Module Cosmetic Criteria**



No.	Item	Judgment Criterion	Partition
1	Difference in Spec.	None allowed	Major
2	Pattern peeling	No substrate pattern peeling and floating	Major
3	Soldering defects	No soldering missing No soldering bridge No cold soldering	Major Major Major
4	Resist flaw on substrate	Invisible copper foil (0.5mm or more) on substrate pattern	Minor
5	Accretion of metallic Foreign matter	No soldering dust No accretion of metallic foreign matters (Not exceed 0.2mm)	Minor Minor
6	Stain	No stain to spoil cosmetic badly	Minor
7	Plate discoloring	No plate fading, rusting and discoloring	Minor
8	Solder amount	a. Soldering side of PCB Solder to form a 'Filet' all around the lead. Solder should not hide the lead form perfectly. (too much)	Minor
	1. Lead parts	b. Components side ( In case of 'Through Hole PCB' ) Solder to reach the Components side of PCB.	
	2. Flat packages	Either 'Toe' (A) or 'Seal' (B) of the lead to be covered by 'Filet'.  Lead form to be assume over solder. A B	
3. Chips	$(3/2) H \geq h \geq (1/2) H$		Minor

#### 14.2 Screen Cosmetic Criteria (Non-Operating)

No.	Defect	Judgment Criterion	Partition										
1	Spots	In accordance with <i>Screen Cosmetic Criteria (Operating) No.1.</i>	Minor										
2	Lines	In accordance with <i>Screen Cosmetic Criteria (Operating) No.2.</i>	Minor										
3	Bubbles in polarizer	<table border="1"> <thead> <tr> <th>Size : d mm</th> <th>Acceptable Qty in active area</th> </tr> </thead> <tbody> <tr> <td><math>d \leq 0.3</math></td> <td>Disregard</td> </tr> <tr> <td><math>0.3 &lt; d \leq 1.0</math></td> <td>3</td> </tr> <tr> <td><math>1.0 &lt; d \leq 1.5</math></td> <td>1</td> </tr> <tr> <td><math>1.5 &lt; d</math></td> <td>0</td> </tr> </tbody> </table>	Size : d mm	Acceptable Qty in active area	$d \leq 0.3$	Disregard	$0.3 < d \leq 1.0$	3	$1.0 < d \leq 1.5$	1	$1.5 < d$	0	Minor
Size : d mm	Acceptable Qty in active area												
$d \leq 0.3$	Disregard												
$0.3 < d \leq 1.0$	3												
$1.0 < d \leq 1.5$	1												
$1.5 < d$	0												



4	Scratch	In accordance with spots and lines operating cosmetic criteria. When the light reflects on the panel surface, the scratches are not to be remarkable.	Minor
5	Allowable density	Above defects should be separated more than 30mm each other.	Minor
6	Coloration	Not to be noticeable coloration in the viewing area of the LCD panels. Back-lit type should be judged with back-lit on state only.	Minor
7	Contamination	Not to be noticeable.	Minor

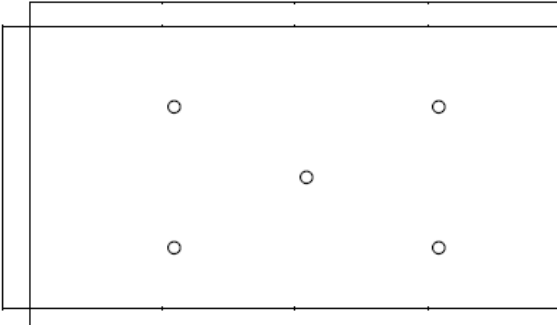
14.3 Screen Cosmetic Criteria (Operating)

No.	Defect	Judgment Criterion	Partition																				
1	Spots	<p>A) Clear Note :</p> <table border="1"> <thead> <tr> <th>Size : d mm</th> <th>Acceptable Qty in active area</th> </tr> </thead> <tbody> <tr> <td>d ≤ 0.1</td> <td>Disregard</td> </tr> <tr> <td>0.1 &lt; d ≤ 0.2</td> <td>3</td> </tr> <tr> <td>0.2 &lt; d ≤ 0.3</td> <td>2</td> </tr> <tr> <td>0.3 &lt; d</td> <td>0</td> </tr> </tbody> </table> <p>Including pin holes and defective dots which must be within one pixel size.</p> <p>B) Unclear Size :</p> <table border="1"> <thead> <tr> <th>Size : d mm</th> <th>Acceptable Qty in active area</th> </tr> </thead> <tbody> <tr> <td>d ≤ 0.2</td> <td>Disregard</td> </tr> <tr> <td>0.2 &lt; d ≤ 0.5</td> <td>6</td> </tr> <tr> <td>0.5 &lt; d ≤ 0.7</td> <td>2</td> </tr> <tr> <td>0.7 &lt; d</td> <td>0</td> </tr> </tbody> </table>	Size : d mm	Acceptable Qty in active area	d ≤ 0.1	Disregard	0.1 < d ≤ 0.2	3	0.2 < d ≤ 0.3	2	0.3 < d	0	Size : d mm	Acceptable Qty in active area	d ≤ 0.2	Disregard	0.2 < d ≤ 0.5	6	0.5 < d ≤ 0.7	2	0.7 < d	0	Minor
Size : d mm	Acceptable Qty in active area																						
d ≤ 0.1	Disregard																						
0.1 < d ≤ 0.2	3																						
0.2 < d ≤ 0.3	2																						
0.3 < d	0																						
Size : d mm	Acceptable Qty in active area																						
d ≤ 0.2	Disregard																						
0.2 < d ≤ 0.5	6																						
0.5 < d ≤ 0.7	2																						
0.7 < d	0																						
2	Lines	<p>A) Clear</p> <p>Note : ( ) - Acceptable Qty in active area L          -Length (mm) W - Width (mm)          ∞ - Disregard</p> <p>B) Unclear</p>	Minor																				

'Clear' = The shade and size are not changed by VO.

'Unclear' = The shade and size are changed by VO.

#### 14.4 Screen Cosmetic Criteria (Operating) (Continued)

No.	Defect	Judgment Criterion	Partition
3	Rubbing line	Not to be noticeable.	
4	Allowable density	Above defects should be separated more than 10mm each other.	Minor
5	Rainbow	Not to be noticeable.	Minor
6	Dot size	To be 95% ~ 105% of the dot size (Typ.) in drawing. Partial defects of each dot (ex. pin-hole) should be treated as 'Spot'. (see <i>Screen Cosmetic Criteria (Operating) No.1</i> )	Minor
7	Uneven brightness (only back-lit type module)	Uneven brightness must be $B_{MAX} / B_{MIN} \leq 2$ - $B_{MAX}$ : Max. value by measure in 5 points - $B_{MIN}$ : Min. value by measure in 5 points Divide active area into 4 vertically and horizontally. Measure 5 points shown in the following figure. <div style="text-align: center;">  </div>	Minor

Note :

- (1) Size :  $d = (\text{long length} + \text{short length}) / 2$
- (2) The limit samples for each item have priority.
- (3) Complexed defects are defined item by item, but if the number of defects are defined in above table, the total number should not exceed 10.
- (4) In case of 'concentration', even the spots or the lines of 'disregarded' size should not allowed. Following three situations should be treated as 'concentration'.
  - 7 or over defects in circle of '5mm.
  - 10 or over defects in circle of '10mm.
  - 20 or over defects in circle of 20mm.

## 15. PRECAUTIONS FOR USING LCD MODULES

### Handing Precautions

- (1) The display panel is made of glass. Do not subject it to a mechanical shock by dropping it or impact.
- (2) If the display panel is damaged and the liquid crystal substance leaks out, be sure not to get any in your mouth. If the substance contacts your skin or clothes, wash it off using soap and water.



(3) Do not apply excessive force to the display surface or the adjoining areas since this may cause the color tone to vary.

(4) The polarizer covering the display surface of the LCD module is soft and easily scratched. Handle this polarizer carefully.

(5) If the display surface becomes contaminated, breathe on the surface and gently wipe it with a soft dry cloth. If it is heavily contaminated, moisten cloth with one of the following solvents :

- Isopropyl alcohol
- Ethyl alcohol

(6) Solvents other than those above-mentioned may damage the polarizer. Especially, do not use the following.

- Water
- Ketone
- Aromatic solvents

(7) Exercise care to minimize corrosion of the electrode. Corrosion of the electrodes is accelerated by water droplets, moisture condensation or a current flow in a high-humidity environment.

(8) Install the LCD Module by using the mounting holes. When mounting the LCD module make sure it is free of twisting, warping and distortion. In particular, do not forcibly pull or bend the I/O cable or the backlight cable.

(9) Do not attempt to disassemble or process the LCD module.

(10) NC terminal should be open. Do not connect anything.

(11) If the logic circuit power is off, do not apply the input signals.

(12) To prevent destruction of the elements by static electricity, be careful to maintain an optimum work environment.

- Be sure to ground the body when handling the LCD modules.
- Tools required for assembling, such as soldering irons, must be properly grounded.
- To reduce the amount of static electricity generated, do not conduct assembling and other work under dry conditions.
- The LCD module is coated with a film to protect the display surface. Exercise care when peeling off this protective film since static electricity may be generated.

### **Storage Precautions**

When storing the LCD modules, avoid exposure to direct sunlight or to the light of fluorescent lamps. Keep the modules in bags (avoid high temperature ~ high humidity and low temperatures below 0°C). Whenever possible, the LCD modules should be stored in the same conditions in which they were shipped from our company.

### **Others**

Liquid crystals solidify under low temperature (below the storage temperature range) leading to defective orientation or the generation of air bubbles (black or white). Air bubbles may also be generated if the module is subject to a low temperature.

If the LCD modules have been operating for a long time showing the same display patterns, the



display patterns may remain on the screen as ghost images and a slight contrast irregularity may also appear. A normal operating status can be regained by suspending use for some time. It should be noted that this phenomenon does not adversely affect performance reliability.

To minimize the performance degradation of the LCD modules resulting from destruction caused by static electricity etc., exercise care to avoid holding the following sections when handling the modules.

- Exposed area of the printed circuit board.
- Terminal electrode sections.

## 16. USING LCD MODULES

### Liquid Crystal Display Modules

LCD is composed of glass and polarizer. Pay attention to the following items when handling.

(1) Please keep the temperature within specified range for use and storage. Polarization degradation, bubble generation or polarizer peel-off may occur with high temperature and high humidity.

(2) Do not touch, push or rub the exposed polarizers with anything harder than an HB pencil lead (glass, tweezers, etc.).

(3) N-hexane is recommended for cleaning the adhesives used to attach front/rear polarizers and reflectors made of organic substances which will be damaged by chemicals such as acetone, toluene, ethanol and isopropylalcohol.

(4) When the display surface becomes dusty, wipe gently with absorbent cotton or other soft material like chamois soaked in petroleum benzine. Do not scrub hard to avoid damaging the display surface.

(5) Wipe off saliva or water drops immediately, contact with water over a long period of time may cause deformation or color fading.

(6) Avoid contacting oil and fats.

(7) Condensation on the surface and contact with terminals due to cold will damage, stain or dirty the polarizers. After products are tested at low temperature they must be warmed up in a container before coming in contact with room temperature air.

(8) Do not put or attach anything on the display area to avoid leaving marks on.

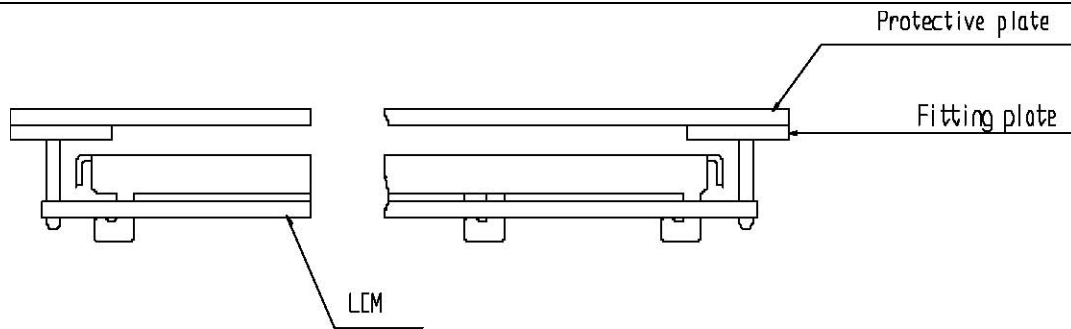
(9) Do not touch the display with bare hands. This will stain the display area and degrade insulation between terminals (some cosmetics are determined to the polarizers).

(10) As glass is fragile. It tends to become chipped during handling especially on the edges. Please avoid dropping or jarring.

### Installing LCD Modules

The hole in the printed circuit board is used to fix LCM as shown in the picture below. Attend to the following items when installing the LCM.

- (1) Cover the surface with a transparent protective plate to protect the polarizer and LC cell.



(2) When assembling the LCM into other equipment, the spacer to the bit between the LCM and the fitting plate should have enough height to avoid causing stress to the module surface, refer to the individual specifications for measurements. The measurement tolerance should be 0.1mm.

### Precaution for Handling LCD Modules

Since LCM has been assembled and adjusted with a high degree of precision, avoid applying excessive shocks to the module or making any alterations or modifications to it.

- (1) Do not alter, modify or change the the shape of the tab on the metal frame.
- (2) Do not make extra holes on the printed circuit board, modify its shape or change the positions of components to be attached.
- (3) Do not damage or modify the pattern writing on the printed circuit board.
- (4) Absolutely do not modify the zebra rubber strip (conductive rubber) or heat seal connector.
- (5) Except for soldering the interface, do not make any alterations or modifications with a soldering iron.
- (6) Do not drop, bend or twist LCM.

### Electro-Static Discharge Control

Since this module uses a CMOS LSI, the same careful attention should be paid to electrostatic discharge as for an ordinary CMOS IC.

- (1) Make certain that you are grounded when handling LCM.
- (2) Before remove LCM from its packing case or incorporating it into a set, be sure the module and your body have the same electric potential.
- (3) When soldering the terminal of LCM, make certain the AC power source for the soldering iron does not leak.
- (4) When using an electric screwdriver to attach LCM, the screwdriver should be of ground potentiality to minimize as much as possible any transmission of electromagnetic waves produced sparks coming from the commutator of the motor.
- (5) As far as possible make the electric potential of your work clothes and that of the work bench the ground potential.
- (6) To reduce the generation of static electricity be careful that the air in the work is not too dried. A relative humidity of 50%60% is recommended.

### Precaution for soldering to the LCM

- (1) Observe the following when soldering lead wire, connector cable and etc. to the LCM.



- Soldering iron temperature : 280°C ± 10°C.
- Soldering time : 3-4 sec.
- Solder : eutectic solder.

If soldering flux is used, be sure to remove any remaining flux after finishing to soldering operation. (This does not apply in the case of a non-halogen type of flux.) It is recommended that you protect the LCD surface with a cover during soldering to prevent any damage due to flux spatters.

(2) When soldering the electroluminescent panel and PC board, the panel and board should not be detached more than three times. This maximum number is determined by the temperature and time conditions mentioned above, though there may be some variance depending on the temperature of the soldering iron.

(3) When remove the electroluminescent panel from the PC board, be sure the solder has completely melted, the soldered pad on the PC board could be damaged.

#### Precautions for Operation

(1) Viewing angle varies with the change of liquid crystal driving voltage (VO). Adjust VO to show the best contrast.

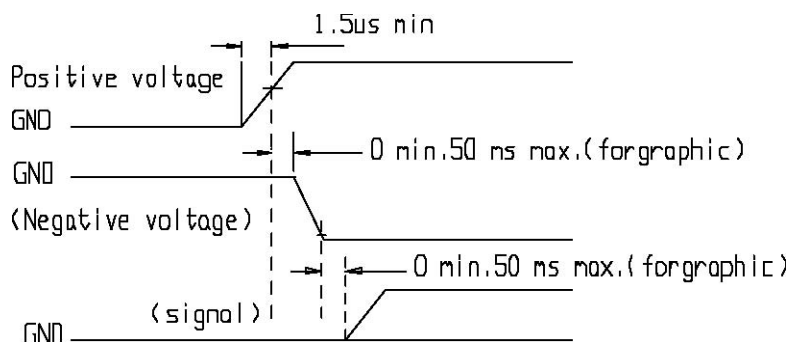
(2) Driving the LCD in the voltage above the limit shortens its life.

(3) Response time is greatly delayed at temperature below the operating temperature range. However, this does not mean the LCD will be out of the order. It will recover when it returns to the specified temperature range.

(4) If the display area is pushed hard during operation, the display will become abnormal. However, it will return to normal if it is turned off and then back on.

(5) Condensation on terminals can cause an electrochemical reaction disrupting the terminal circuit. Therefore, it must be used under the relative condition of 40°C , 50% RH.

(6) When turning the power on, input each signal after the positive/negative voltage becomes stable.



#### Storage

When storing LCDs as spares for some years, the following precaution are necessary.

(1) Store them in a sealed polyethylene bag. If properly sealed, there is no need for dessicant.  
(2) Store them in a dark place. Do not expose to sunlight or fluorescent light, keep the temperature between 0°C and 35°C.

(3) The polarizer surface should not come in contact with any other objects. (We advise you to store them in the container in which they were shipped.)

#### Safety



(1) It is recommended to crush damaged or unnecessary LCDs into pieces and wash them off with solvents such as acetone and ethanol, which should later be burned.

(2) If any liquid leaks out of a damaged glass cell and comes in contact with the hands, wash off thoroughly with soap and water.

#### **Limited Warranty**

Unless agreed between YAOYU and customer, YAOYU will replace or repair any of its LCD modules which are found to be functionally defective when inspected in accordance with YAOYU LCD acceptance standards (copies available upon request) for a period of one year from date of shipments. Cosmetic/visual defects must be returned to YAOYU within 90 days of shipment. Confirmation of such date shall be based on freight documents. The warranty liability of YAOYU limited to repair and/or replacement on the terms set forth above. YAOYU will not be responsible for any subsequent or consequential events.

#### **Return LCM under warranty**

No warranty can be granted if the precautions stated above have been disregarded. The typical examples of violations are :

- Broken LCD glass.
- PCB eyelet's damaged or modified.
- PCB conductors damaged.
- Circuit modified in any way, including addition of components.
- PCB tampered with by grinding, engraving or painting varnish.
- soldering to or modifying the bezel in any manner.

Module repairs will be invoiced to the customer upon mutual agreement. Modules must be returned with sufficient description of the failures or defects. Any connectors or cable installed by the customer must be removed completely without damaging the PCB eyelet's, conductors and terminals.