

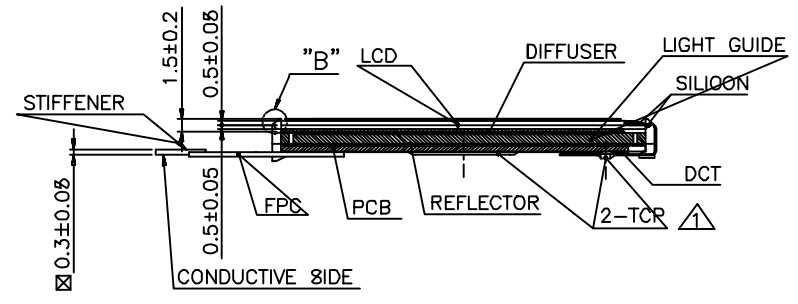
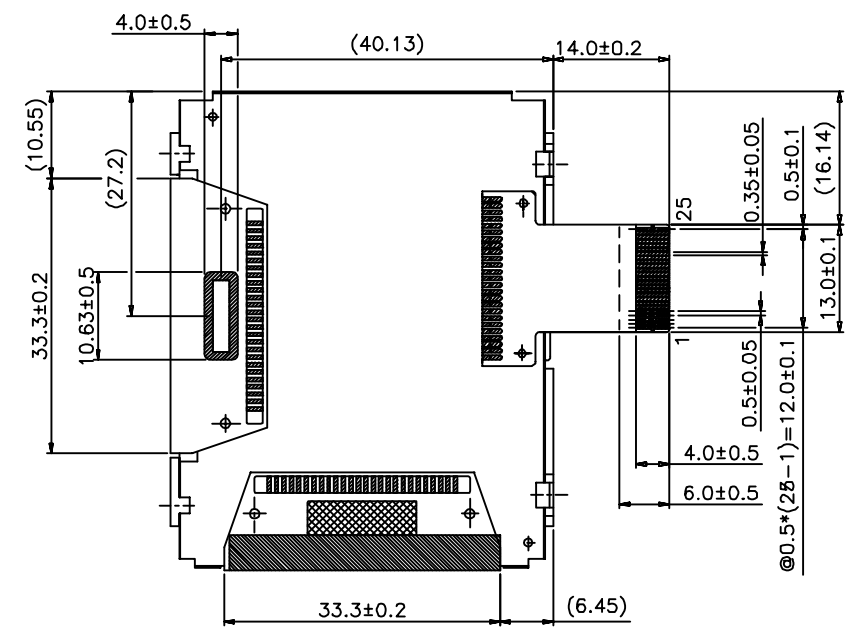
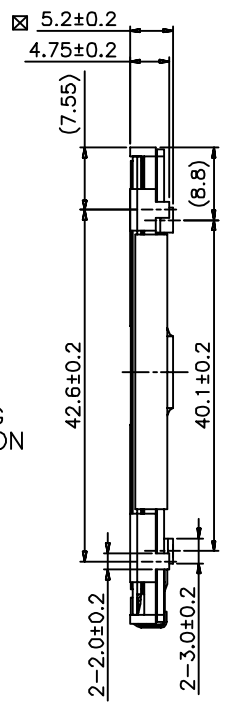
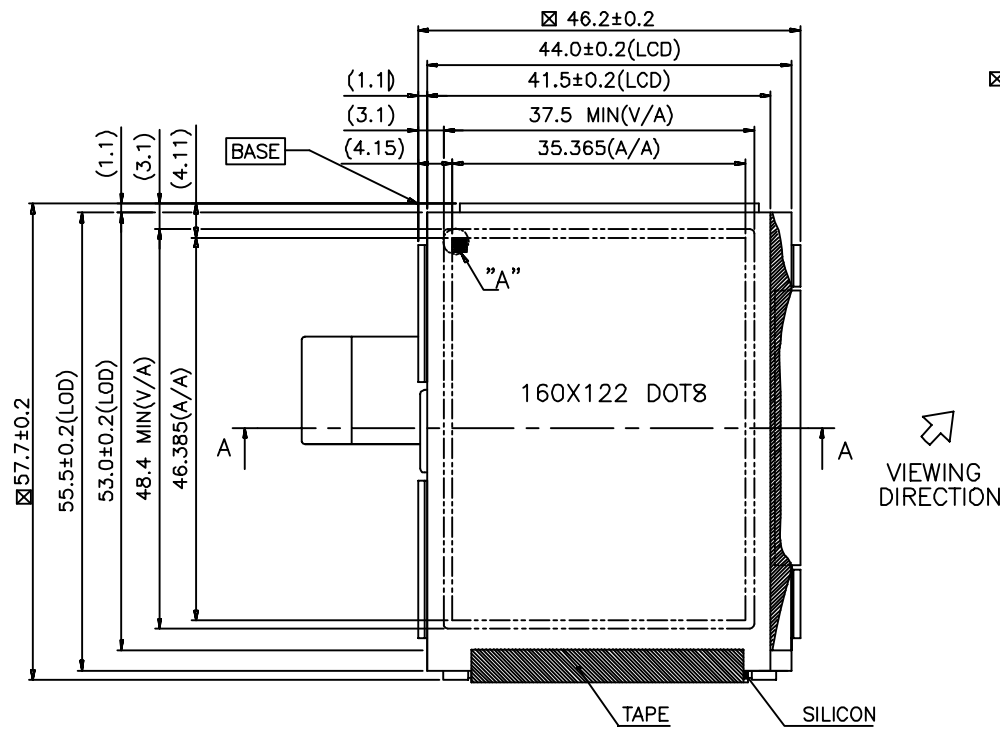
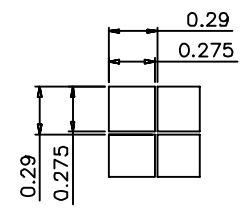


TOLERANCES NOT SPECIFIED: .X=±0.3 .XX=±0.30 .X'=±2' .XX'=±0.5'
 (XXX.XX):REFERENCE DIMENSION  (S)  UNIT : mm

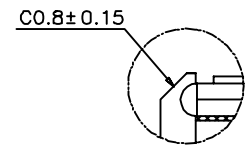


SECTION A-A

- NOTES:
1. DISPLAY TYPE: FSTN
 2. VIEWING DIRECTION: 6:00
 3. POLARIZER MODE: TRANSFLECTIVE/POSITIVE
 4. OPERATING TEMP: -20°C~+70°C
 5. STORAGE TEMP: -30°C~+80°C
 6. LOGIC VOLTAGE: 3.3V
 7. LCD OPERATION VOLTAGE: 17V
 8. DRIVE METHOD: 1/122DUTY 1/12BIAS
 9. DRIVER IC: NT7701*2
 10. BACKLIGHT: LED(AMBER)


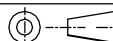


DETAIL "A"
SCALE 20X



DETAIL "B"
SCALE 4X

NOTE: "⊠" ICON MEAN IMPORTANT DIM

 深圳市耀宇科技有限公司 SHENZHEN YAO YU TECHNOLOGY CO., LTD					
DRAW NO.	YMFT-G160122ADPSASN	DRAWN	ME CHECKED	EE CHECKED	APPROVED
UNIT:mm	PAGE:1/1	VER. A	SCALE:1/1		
 TOLERANCE UNLESS:±0.2					