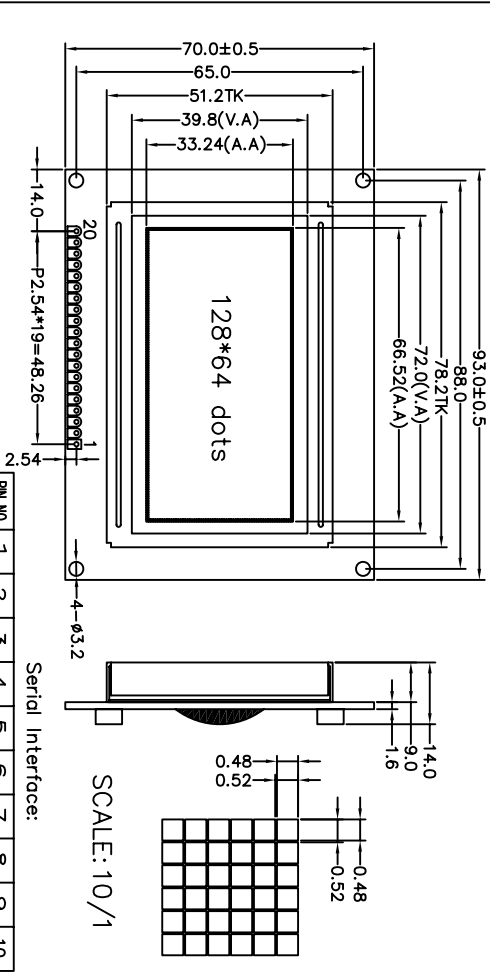


NOTES:
 1.DISPLAY TYPE: STN/YELLOW-GREEN
 2.VIEWING ANGLE: 6:00
 3.POLARIZER MODE: TRANSPARENT/POSITIVE
 4.OPERATING TEMP: -20°C~+70°C
 5.STORAGE TEMP: -30°C~+80°C
 6.LOGIC VOLTAGE: VDD=5.0V
 7.LCD DRIVER VOLTAGE: ---
 8.DRIVE METHOD: 1/32DUTY/1/BIAS
 9.DRIVE IC: S7920
 10.BACKLIGHT TYPE: LED/YELLOW-GREEN,S.040.10CV

PN NO.	1	2	3	4	5	6	7	8	9	10
NAME	VSS	VDD	VO	CS	R/W	E	DB0	DB1	DB2	DB3
PN NO.	11	12	13	14	15	16	17	18	19	20
NAME	DB4	DB5	DB6	DB7	PSB (VDD)	NC	/RST	WUIT	A	K

SHENZHEN YAO YU TECHNOLOGY CO., LTD.	SHENZHEN YAO YU TECHNOLOGY CO., LTD.	SHENZHEN YAO YU TECHNOLOGY CO., LTD.	SHENZHEN YAO YU TECHNOLOGY CO., LTD.
DRAW NO. YMSC-G12864S-30TY1YSN	SCALE: 1/1	DATE: 2014.04.26	VERSION: A
PAGE: 1/1	UNIT: mm	TOLERANCES UNLESS: 0.2	APPROVED



NOTES:
 1.DISPLAY TYPE: STN/YELLOW-GREEN
 2.VIEWING ANGLE: 6:00
 3.POLARIZER MODE: TRANSPARENT/POSITIVE
 4.OPERATING TEMP: -20°C~+70°C
 5.STORAGE TEMP: -30°C~+80°C
 6.LOGIC VOLTAGE: VDD=5.0V
 7.LCD DRIVER VOLTAGE: ---
 8.DRIVE METHOD: 1/32DUTY/1/BIAS
 9.DRIVE IC: S7920
 10.BACKLIGHT TYPE: LED/YELLOW-GREEN,S.040.10CV

PN NO.	1	2	3	4	5	6	7	8	9	10
NAME	VSS	VDD	VO	CS	R/W	E	NC	NC	NC	NC
PN NO.	11	12	13	14	15	16	17	18	19	20
NAME	NC	NC	NC	NC	NC	NC	/RST	WUIT	A	K

SHENZHEN YAO YU TECHNOLOGY CO., LTD.	SHENZHEN YAO YU TECHNOLOGY CO., LTD.	SHENZHEN YAO YU TECHNOLOGY CO., LTD.	SHENZHEN YAO YU TECHNOLOGY CO., LTD.
DRAW NO. YMSC-G12864S-30TY1YSN	SCALE: 1/1	DATE: 2014.04.26	VERSION: A
PAGE: 1/1	UNIT: mm	TOLERANCES UNLESS: 0.2	APPROVED