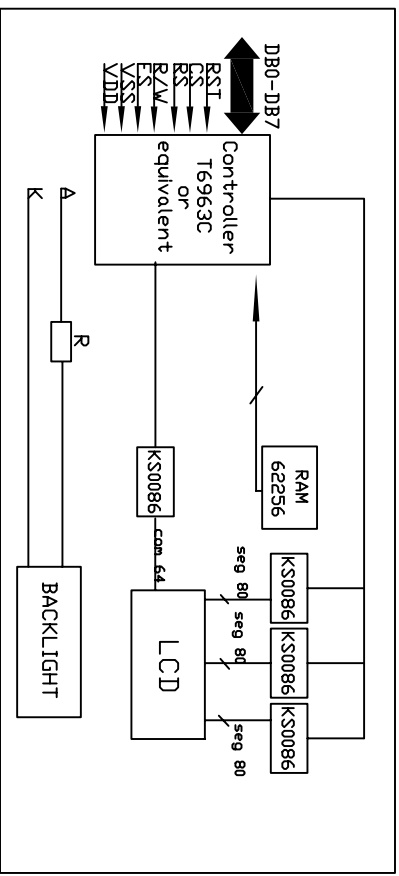


- NOTES:
- 1.DISPLAY TYPE: STN/YELLOW - Blue
 - 2.VIEWING DIRECTION: 6:00
 - 3.POLARIZER MODE: TRANSPARENT/POSITIVE
 - 4.OPERATING TEMP: -10°C--+60°C
 - 5.STORAGE TEMP: -20°C--+70°C
 6. VDD: +5.0V
 - 7.DRIVE METHOD: 1/64DUTY 1/9BIAS
 - 8.CONTROLLER: T6963C
 - 9.BACKLIGHT: LED (White)
 - 10.ALL UNMARKED TOLERANCES:±0.3mm



1	2	3	4	5	6	7	8	9	10
FG	VSS	VDD	V0	/WR	/RD	/CS	RS	NC	/RESET
11	12	13	14	15	16	17	18	19	20
DB0	DB1	DB2	DB3	DB4	DB5	DB6	DB7	FS	VEE



深圳市耀宇科技有限公司
SHENZHEN YAO YU TECHNOLOGY CO., LTD

DRAW NO.	YM24064F P-1	DRAWN	ME CHECKED	EE CHECKED	APPROVED
UNIT:mm	PAGE:1/1	VER. A	SCALE:1/1		
	TOLERANCE UNLESS:±0.3				
REV.		DESCRIPTION	DATE		