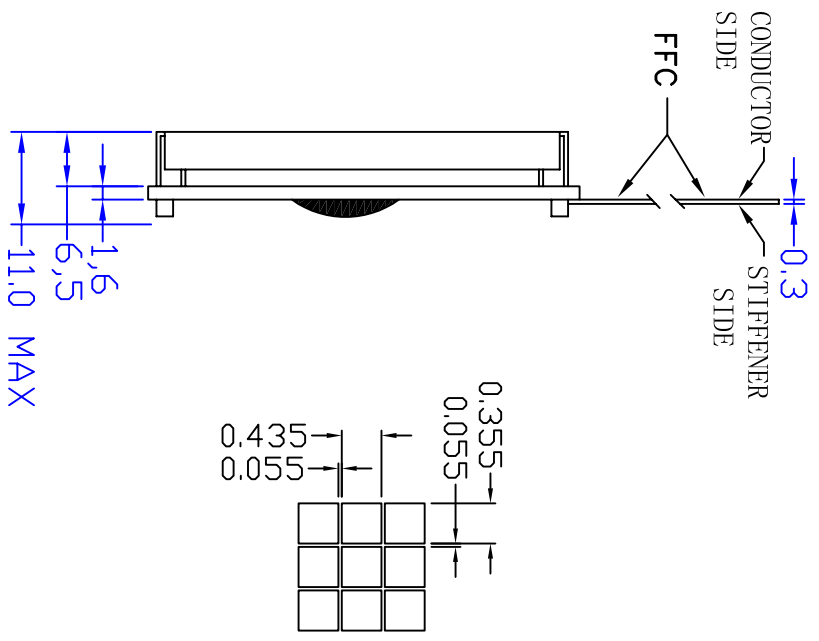



NOTES:

- 1.DISPLAY TYPE: STN/YELLOW-GREEN
- 2.VIEWING DIRECTION:6:00
- 3.POLARIZER MODE: TRANSPARENT/NEGATIVE
- 4.OPERATING TEMP: -20°C--+70°C
- 5.STORAGE TEMP: -30°C--+80°C
- 6.LOGIC SUPPLY VOLTAGE: VDD=5.0V
- 7.LCD DRIVE VOLTAGE: VOP=9.0V
- 7.DRIVE METHOD: 1/64DUTY 1/9BIAS
- 8.CONTROLLER:ST7920
- 9.BACKLIGHT TYPE:LED(YELLOW-GREEN)



1	2	3	4	5	6	7	8	9	10
VSS	VDD	VD	RS	R/W	E	D0	D1	D2	D3
11	12	13	14	15	16	17	18	19	20
D4	D5	D6	D7	PSB	NC	/RET	VDUT	ELA	ELK

 深 圳 市 耀 宇 科 技 有 限 公 司 SHENZHEN YAO YU TECHNOLOGY CO., LTD		DRAW NO. YM12864Y-1 UNIT:mm PAGE:1/1 TOLERANCE UNLESS:±0.2	VER. A SCALE:1/1	DRAWN ME CHECKED EE CHECKED	APPROVED	
REV.	DESCRIPTION	DATE				