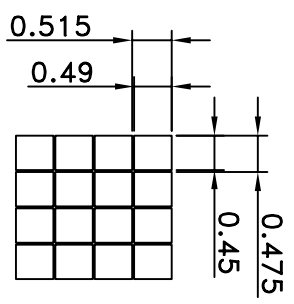
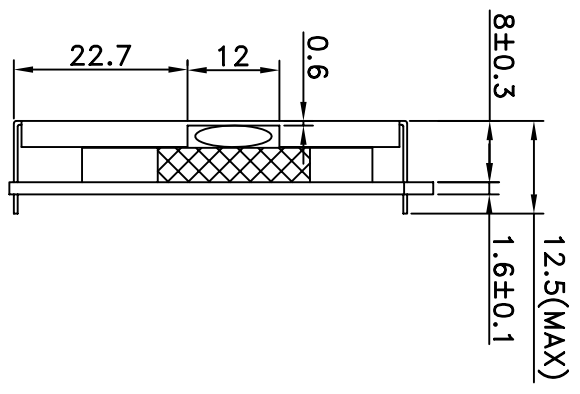


PINNO.	1	2	3	4	5	6	7	8	9	10
SIGNAL	GND	GND	VDD	DB7	DB6	DB5	DB4	DB3	DB2	DB1
PINNO.	11	12	13	14	15	16	17	18	19	20
SIGNAL	DB0	E_RD	WR_RW	RS	RESET	CS	G	R	VCC	B



DOTS SCALE:10/1



NOTES:

- 1.DISPLAY TYPE: FTN
- 2.VIEWING ANGLE: 6:00
- 3.POLARIZER MODE:TRANSMISSIVE/POSITIVE
- 4.OPERATING TEMP: -20°C ~ +70°C
- 5.STORAGE TEMP: -30°C ~ +80°C
- 6.LOGIC VOLTAGE: VDD=3.0V
- 7.LCD DRIVER VOLTAGE: Vop=8.0V
- 8.DRIVE METHOD: 1/64DUTY 1/9BIAS
- 9.DRIVE IC: NT7532
- 10.BACKLIGHT TYPE: RED/BLUE/GREEN EDGE LED



深圳市耀宇科技有限公司
SHENZHEN YAO YU TECHNOLOGY CO., LTD

REV.	DESCRIPTION	DATE	DRAW NO.	YMFG-G12864P-18BPS3WN	DRAWN	ME CHECKED	EE CHECKED	APPROVED
			UNIT:mm	PAGE:1/1	VER: A	SCALE:1/1		
			TOLERANCES UNLESS:±0.3					