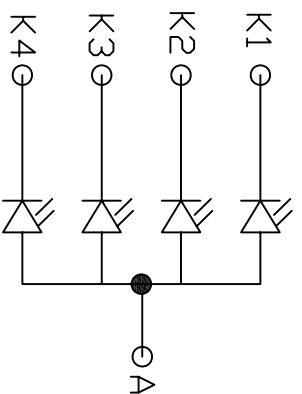
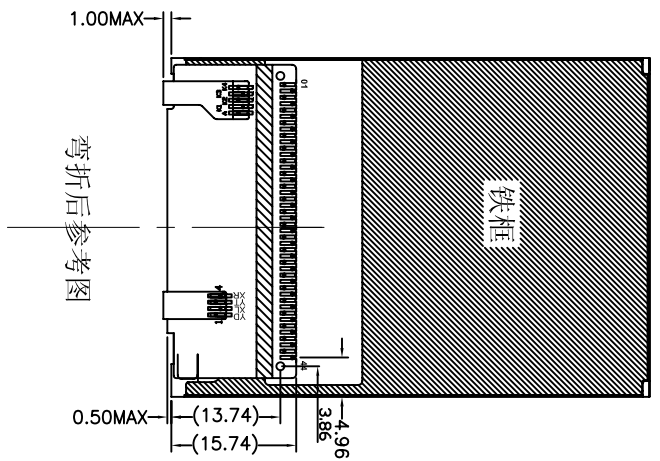
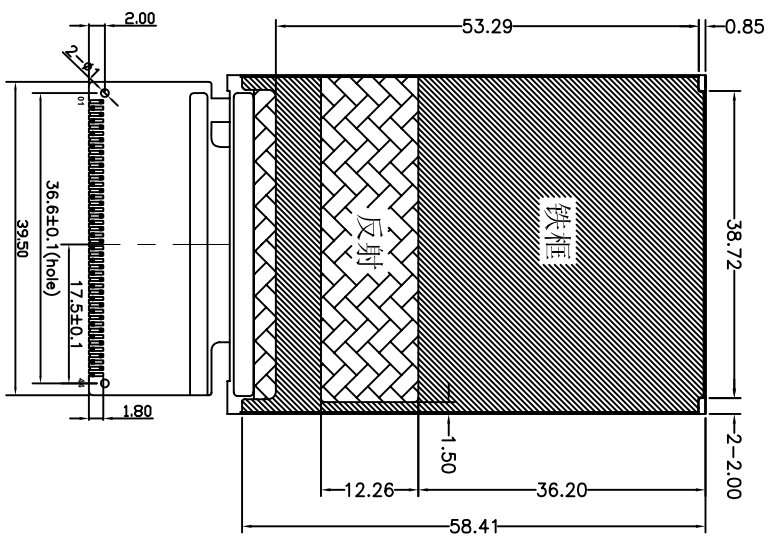
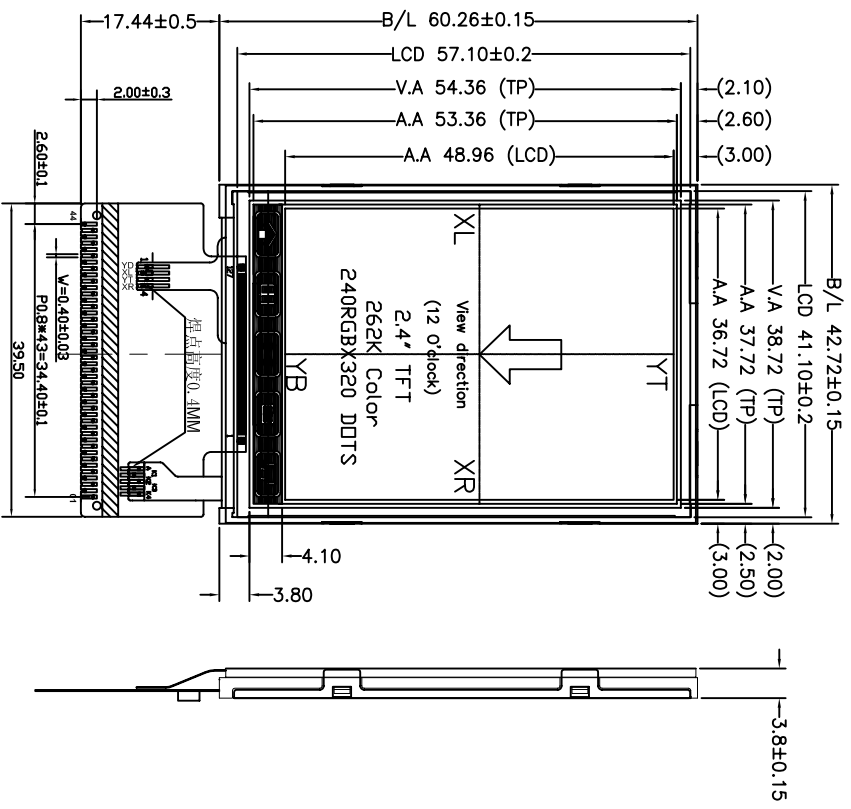



REV	EC NUMBER	DESCRIPTION	DATE
		XXXXXXXXXX	xxxx/xx/xx

PIN	SYMBOL
1	GND
2	Y-
3	X-
4	Y+
5	X+
6	GND
7	IM0
8	IM3
9	IM2
10	IM1
11	LCD-ID
12	RESET
13	DB9
14	DB0
15	DB17
16	DB16
17	DB15
18	DB14
19	DB13
20	DB12
21	DB11
22	DB10
23	DB8
24	DB7
25	DB6
26	DB5
27	DB4
28	DB3
29	DB2
30	DB1
31	RD
32	WR
33	RS
34	CS
35	GND
36	VCC
37	VCC
38	VCC
39	LED-K4
40	LED-K3
41	LED-K2
42	LED-K1
43	LED-A
44	GND



- NOTES:
1. DRIVE IC: ILI9325
 2. TYPE: 2.4" TFT
 3. DISPLAY MODE: normally white TN
 4. VIEWING DIRECTION: 12 O'CLOCK
 5. OPERATING TEMP: -20°C ~ 70°C
 6. STORAGE TEMP: -30°C ~ 80°C



深圳市耀宇科技有限公司
SHENZHEN YAO YU TECHNOLOGY CO., LTD

DRAW NO.	YM240T-020AT	DRAWN	ME CHECKED	EE CHECKED	APPROVED
UNIT:mm	PAGE:1/1	VER: A	SCALE:1/1		
TOLERANCES UNLESS: ±0.2					