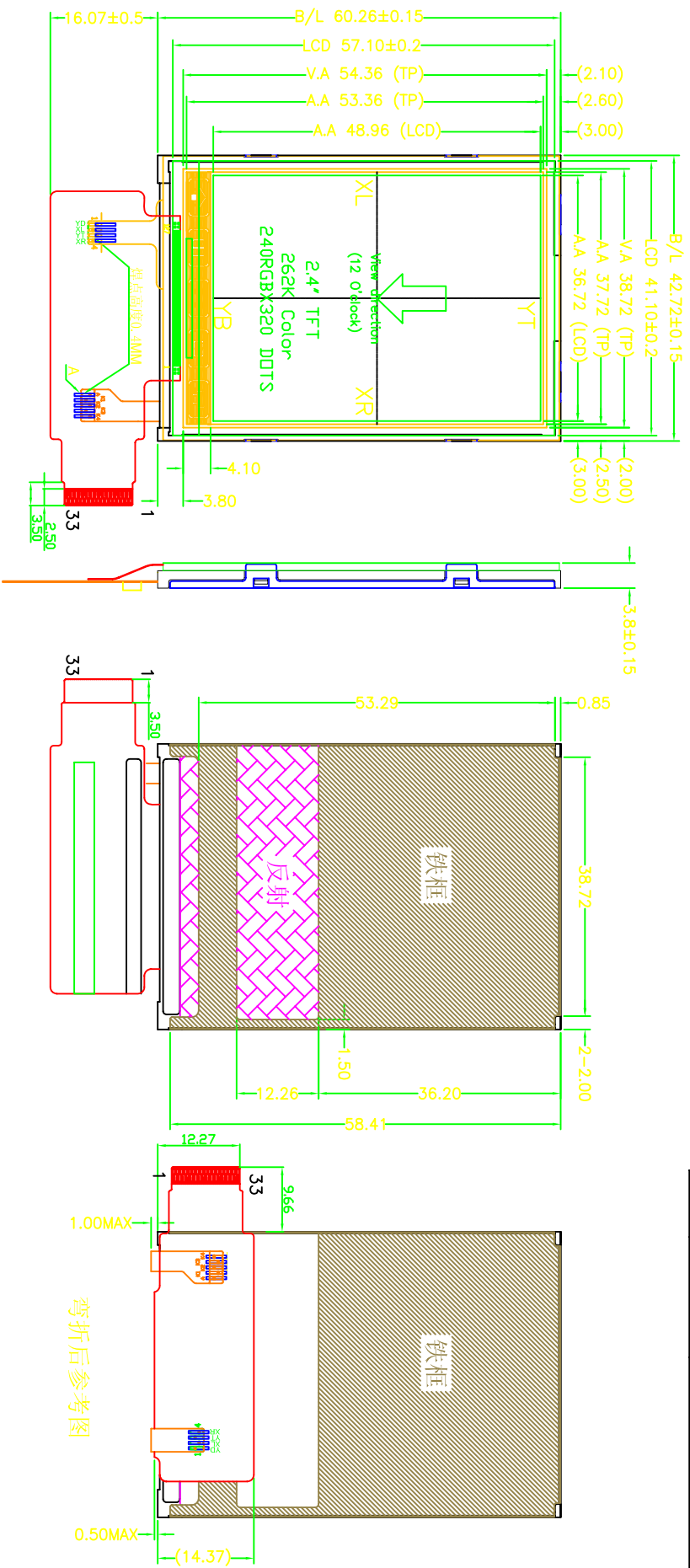


REV	EC NUMBER	DESCRIPTION	DATE
		XXXXXXXXXX	xxxx/xx/xx



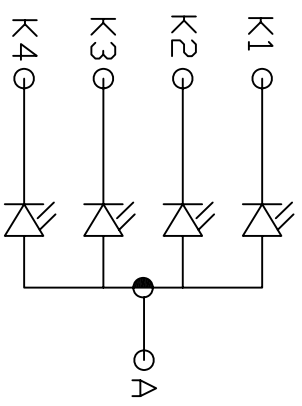
PIN FUCTION


33	LED-K4
32	LED-K3
31	LED-K2
30	LED-K1
29	LED-A
28	D15
27	D14
26	D13
25	D12
24	D11
23	D10
22	D9
21	D8
20	D7
19	D6
18	D5
17	D4
16	D3
15	D2
14	D1
13	D0
12	RD
11	WR
10	C/D
9	CS
8	RESET
7	VDD
6	GND
5	GND
4	XR
3	YD
2	XL
1	YU

弯折后参考图

NOTES:

1. DRIVE IC: ILI9325
2. TYPE: 2.4" TFT
3. DISPLAY MODE: normally white TN
4. VIEWING DIRECTION: 12 O'CLOCK
5. OPERATING TEMP: -20°C ~ 70°C
6. STORAGE TEMP: -30°C ~ 80°C
7. GENERAL TOLERANCE: ±0.2





 深 圳 市 耀 宇 科 技 有 限 公 司
 SHENZHEN YAO YU TECHNOLOGY CO., LTD

DRAW NO.	YM240T-019AT	DRAWN	ME CHECKED	EE CHECKED	APPROVED
UNIT:mm	PAGE:1/1	VER: A	SCALE:1/1		
	TOLERANCES UNLESS:±0.2				