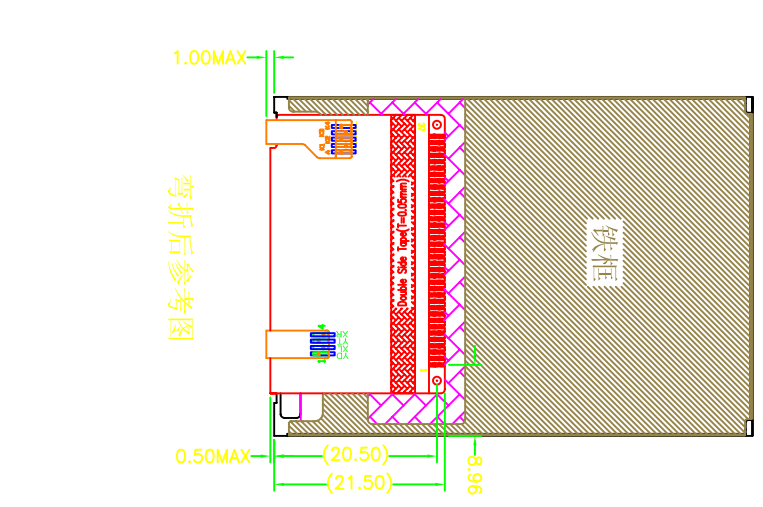
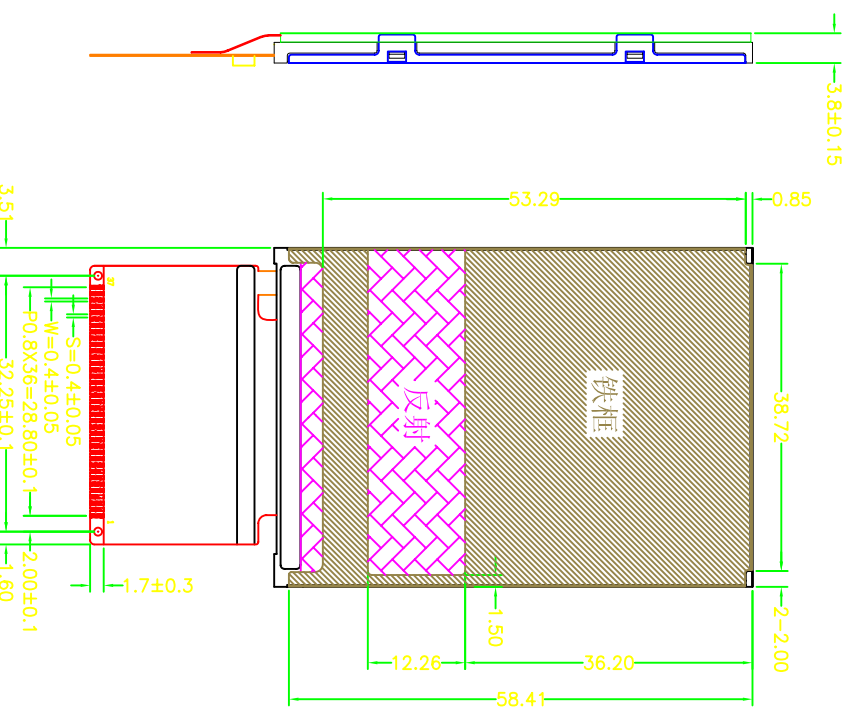
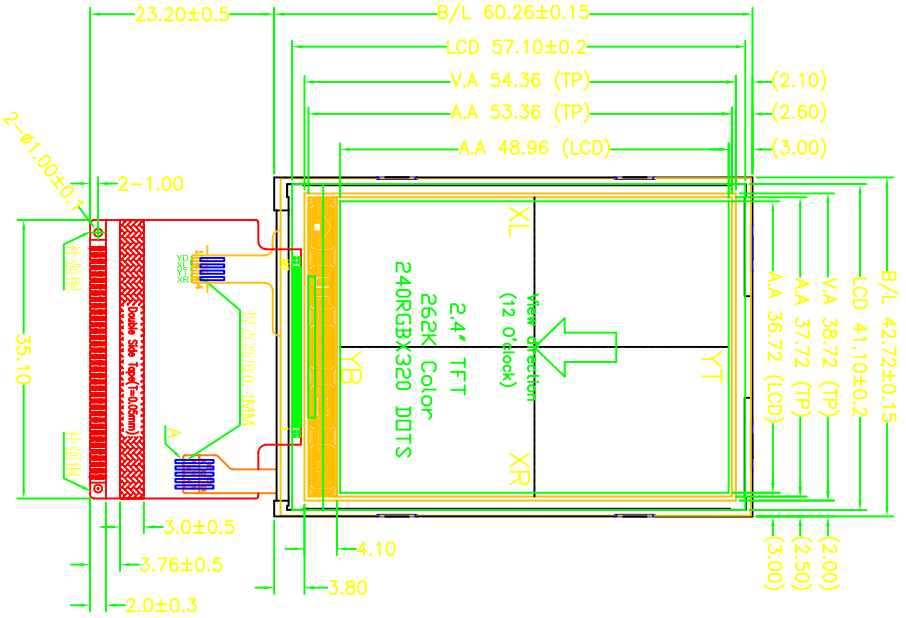
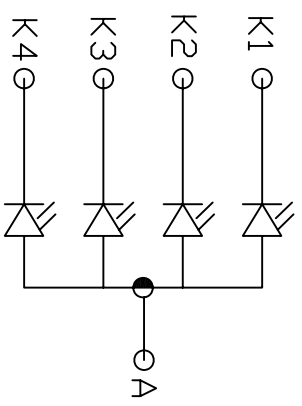



REV	EC NUMBER	DESCRIPTION	DATE
		XXXXXXXXXX	xxxx/xx/xx



NOTES:

1. DRIVE IC: ILI9325
2. TYPE: 2.4" TFT
3. DISPLAY MODE: normally white TN
4. VIEWING DIRECTION: 12 O'CLOCK
5. OPERATING TEMP: -20°C ~ 70°C
STORAGE TEMP: -30°C ~ 80°C



 深 圳 市 耀 宇 科 技 有 限 公 司 SHENZHEN YAO YU TECHNOLOGY CO., LTD			
DRAW NO.	YM240T-018AT	DRAWN	ME CHECKED
UNIT:mm	PAGE:1/1	VER: A	SCALE:1/1
TOLERANCES UNLESS: ±0.2			
APPROVED			

PIN	FUNCTION	PIN	FUNCTION
1	DB8	17	LED-K1
2	DB9	18	LED-K2
3	DB10	19	LED-K3
4	DB11	20	LED-K4
5	GND1	21	NC
6	VCC1	22	DB12
7	/CS	23	DB0
8	RS	24	DB1
9	/WR	25	DB2
10	/RD	26	DB3
11	NC	27	DB4
12	XL	28	DB5
13	YU	29	DB6
14	XR	30	DB7
15	YD	31	/RESET
16	LED-A	32	VCI
		33	VCC2
		34	GND
		35	DB13
		36	DB14
		37	DB15