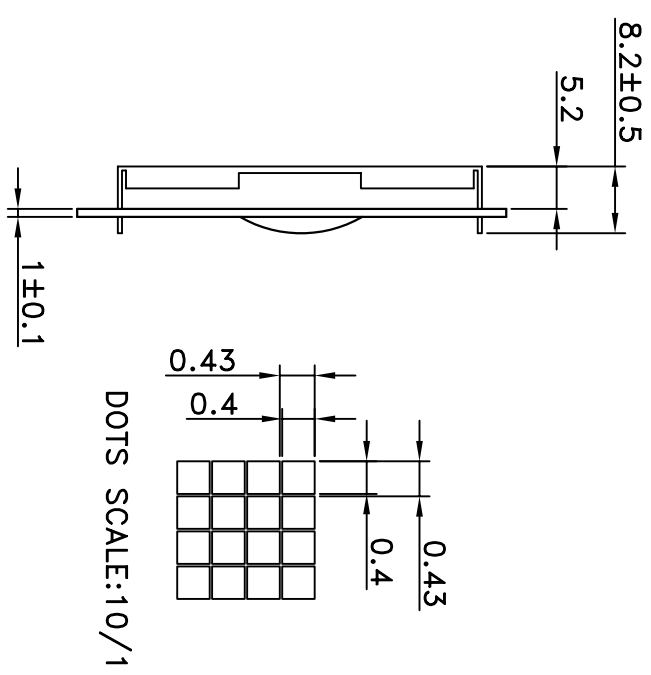


PINNO.	1	2	3	4	5	6	7	8	9	10
SIGNAL	VSS	VDD	VEE	DB0	DB1	DB2	DB3	DB4	DB5	DB6
PINNO.	11	12	13	14	15	16	17	18	19	20
SIGNAL	DB7	CS1	CS2	RET	R/W	D/I	E	FG	A	K



- NOTES:
- 1.DISPLAY TYPE: STN/YELLOW-GREEN
 - 2.VIEWING ANGLE: 6:00
 - 3.POLARIZER MODE:TRANSFLECTIVE/POSITIVE
 - 4.OPERATING TEMP: -20°C ~ +70°C
 - 5.STORAGE TEMP: -30°C ~ +80°C
 - 6.LOGIC VOLTAGE: VDD=5.0V
 - 7.LCD DRIVER VOLTAGE: Vop=13.0V
 - 8.DRIVE METHOD: 1/64DUTY 1/9BIAS
 - 9.DRIVE IC: S6B0107
 - 10.BACKLIGHT TYPE: YELLOW-GREEN LED

 深 圳 市 耀 宇 科 技 有 限 公 司 SHENZHEN YAO YU TECHNOLOGY CO., LTD		DRAW NO.	YM5C-G12864DDYSYSYD			DRAWN	ME CHECKED	EE CHECKED	APPROVED
UNIT:mm	PAGE:1/1	VER: A	SCALE:1/1						
TOLERANCES UNLESS:±0.3									
REV.	DESCRIPTION	DATE							